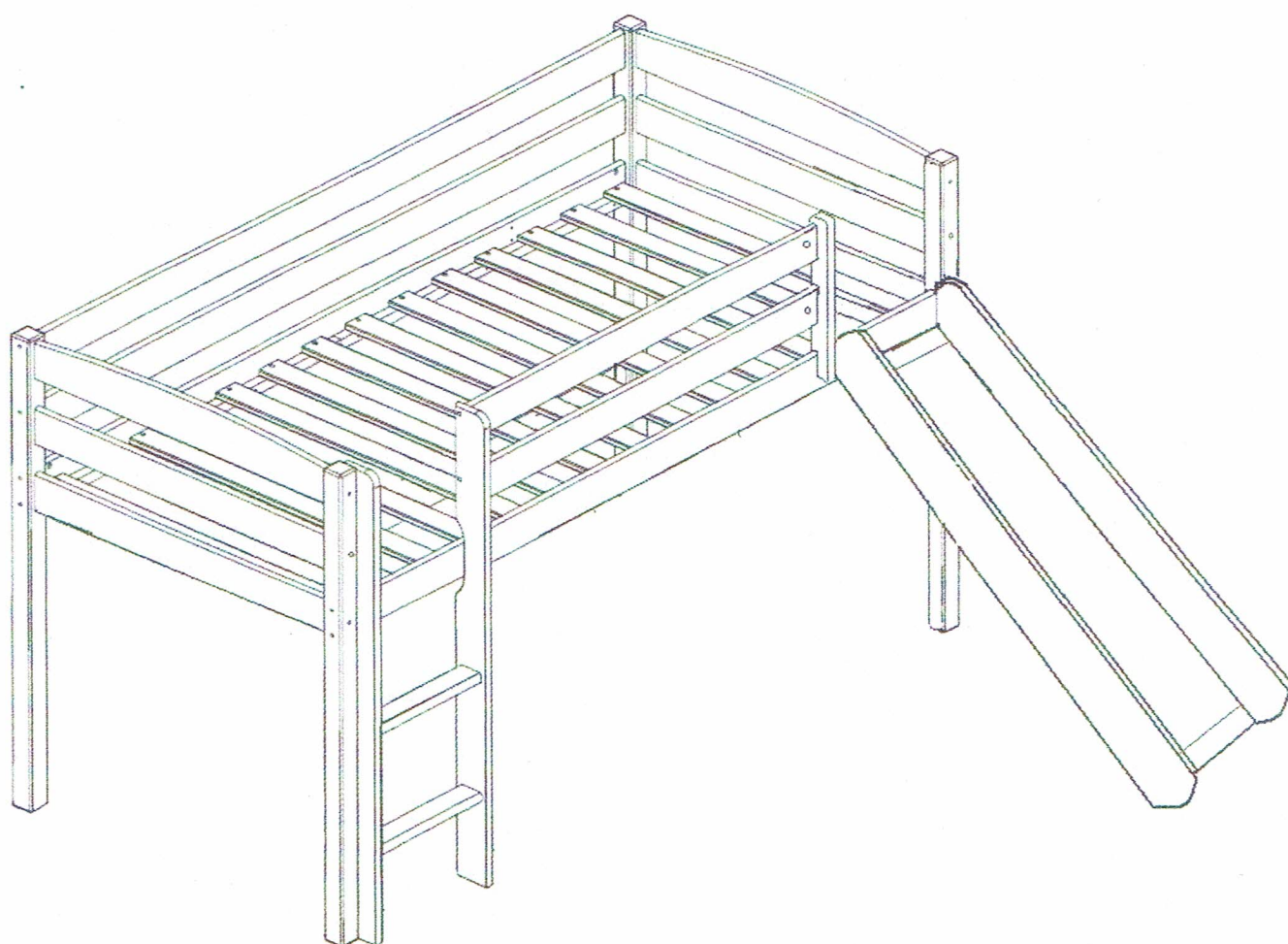
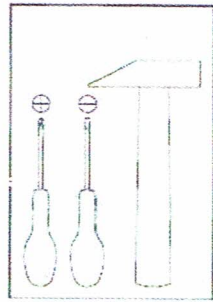
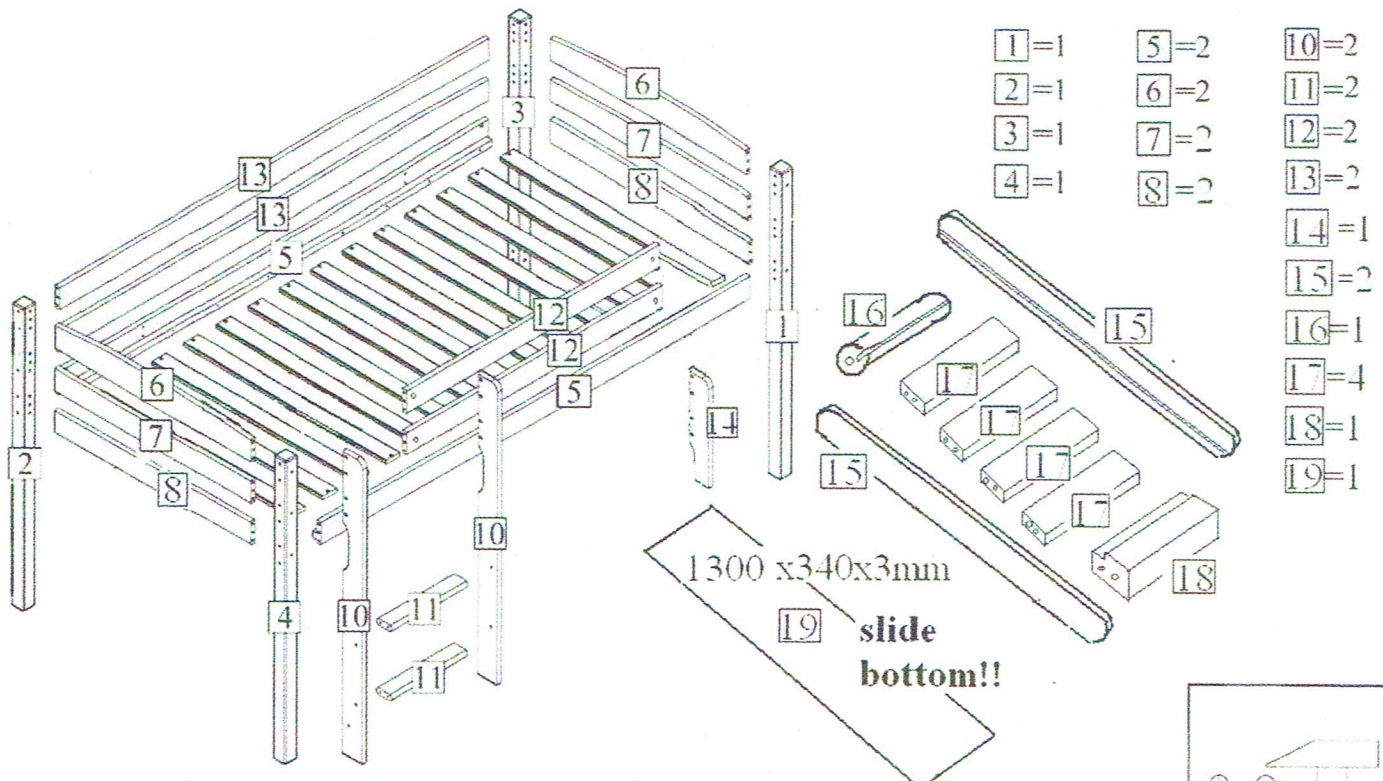


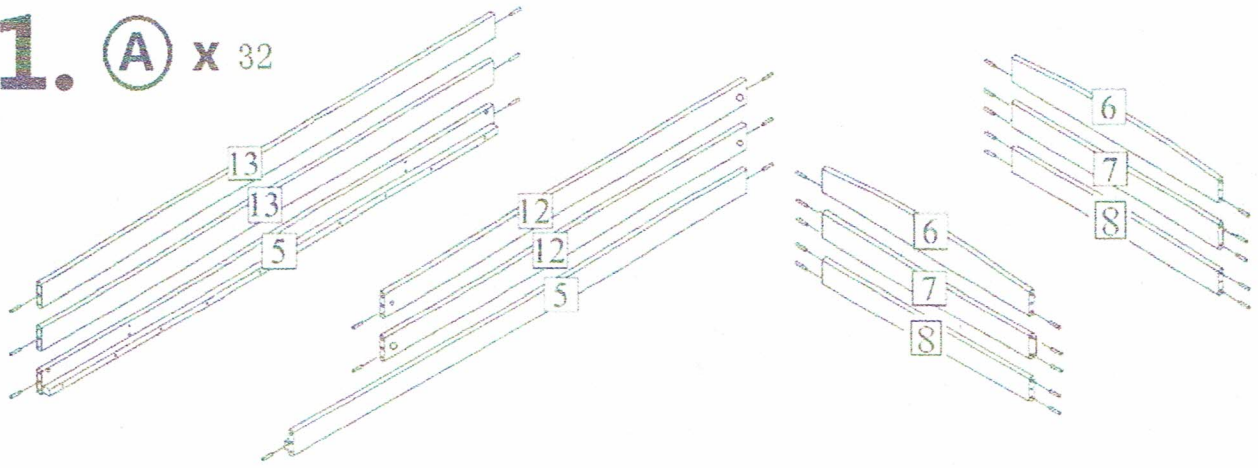
200*90cm



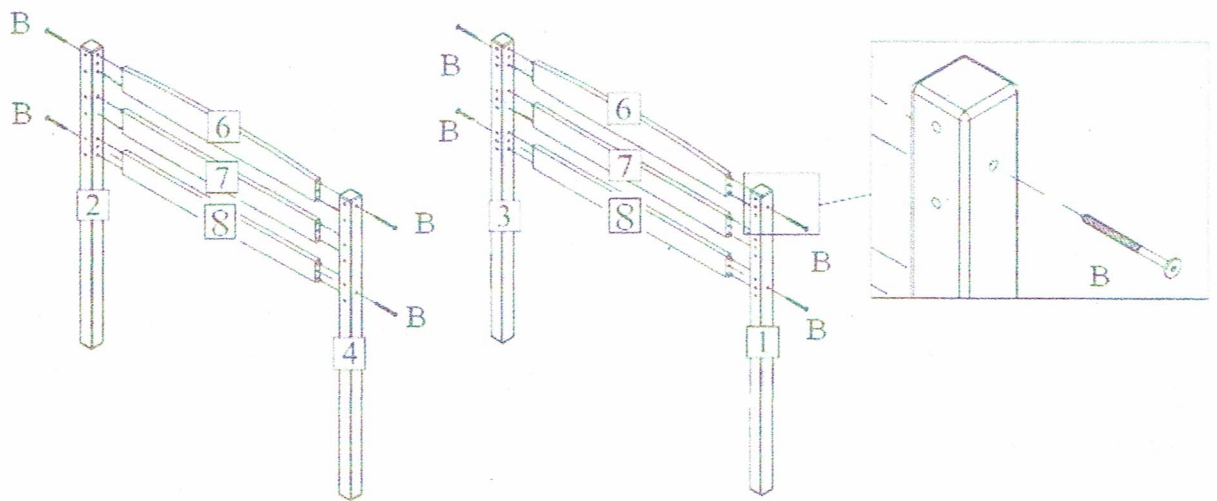


- A = 32 $\varnothing 8 \times 30 \text{mm}$
- B = 20 M6x90mm
- C = 24 $\varnothing 8 \times 30 \text{mm}$
- M = 1 L-shaped metal bracket
- G = 36 $\varnothing 4.0 \times 30 \text{mm}$
- K = 4 M6x70mm
- H = 30 $\varnothing 6 \times 70 \text{mm}$
- I = 4 M6x50mm
- J = 7 Small metal cap screw
- N = 4 4.0x15mm
- T = 2 L-shaped metal bracket
- R X 26 8mm plastic cover
- F = 3 M6x60mm

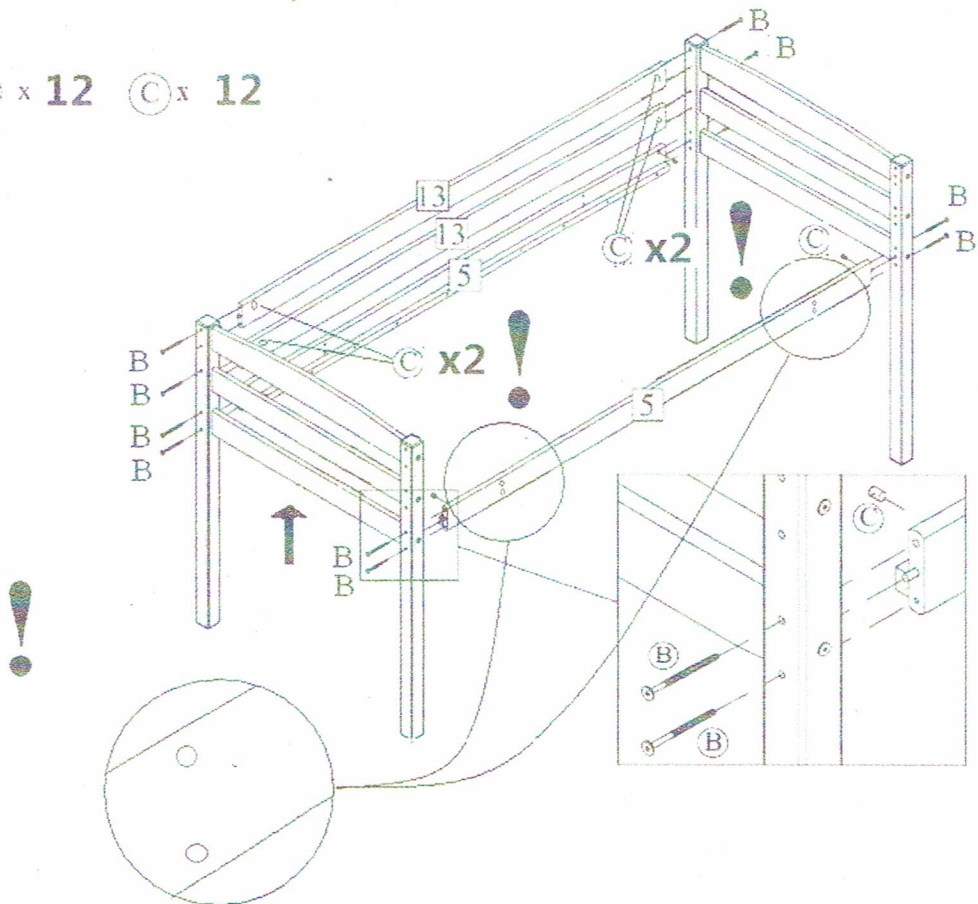
1. (A) x 32



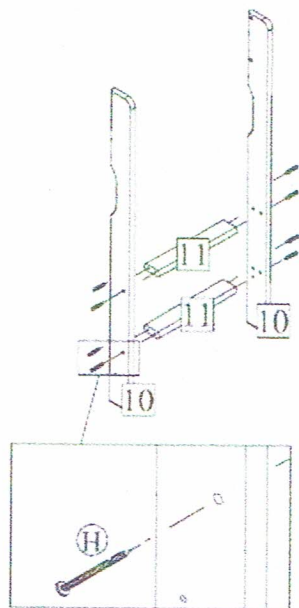
2. (B) x 8 (C) x 8



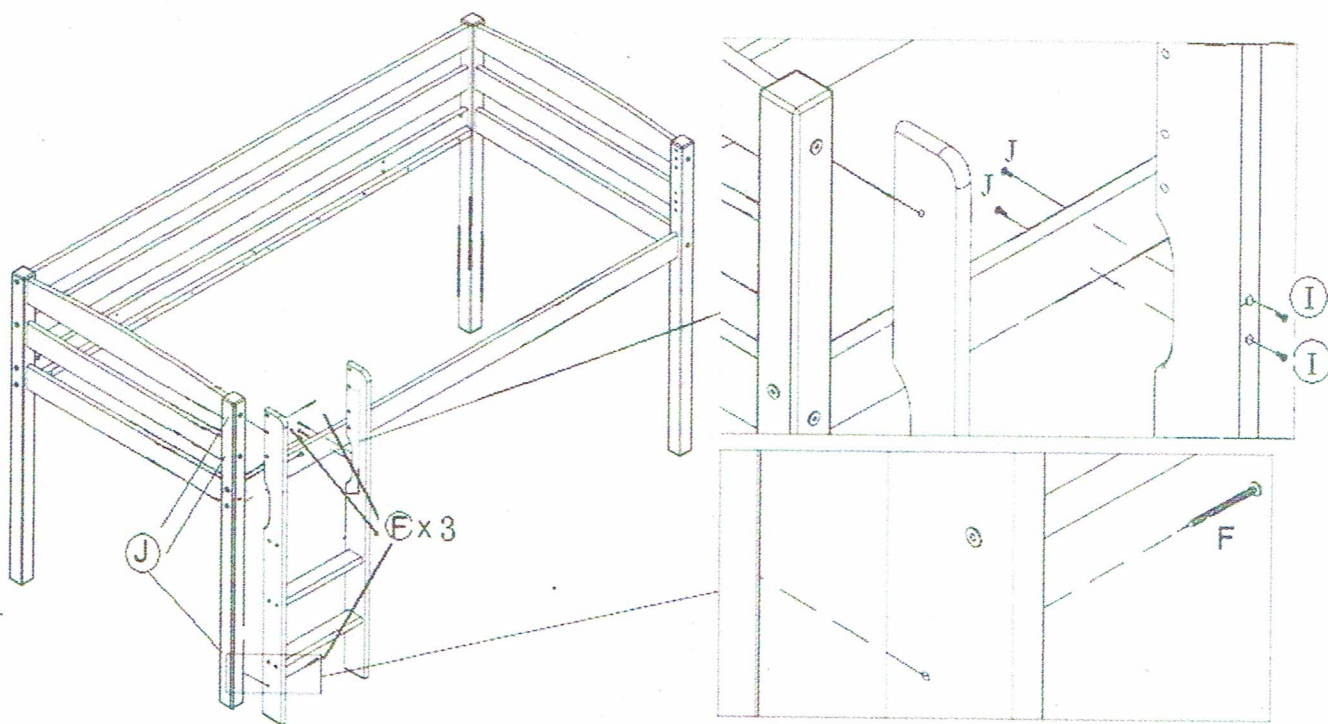
3. (B) x 12 (C) x 12



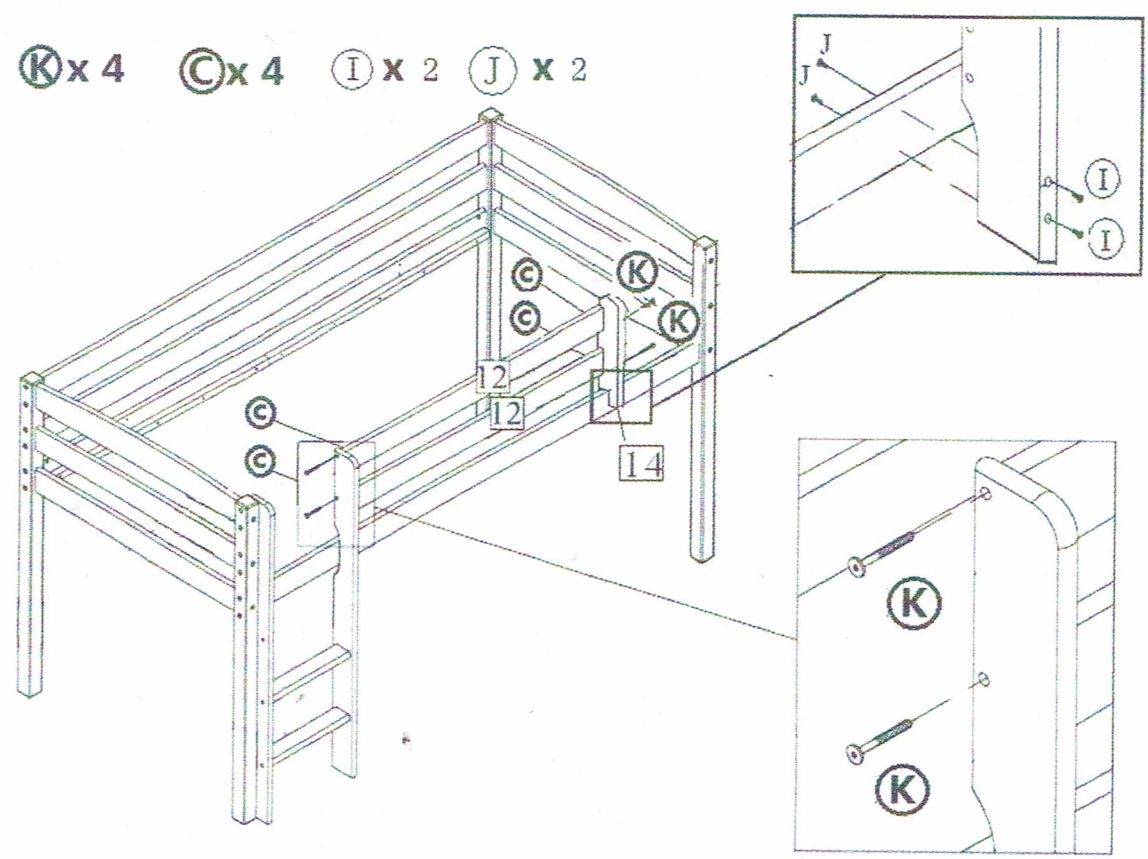
4. (H) x 8



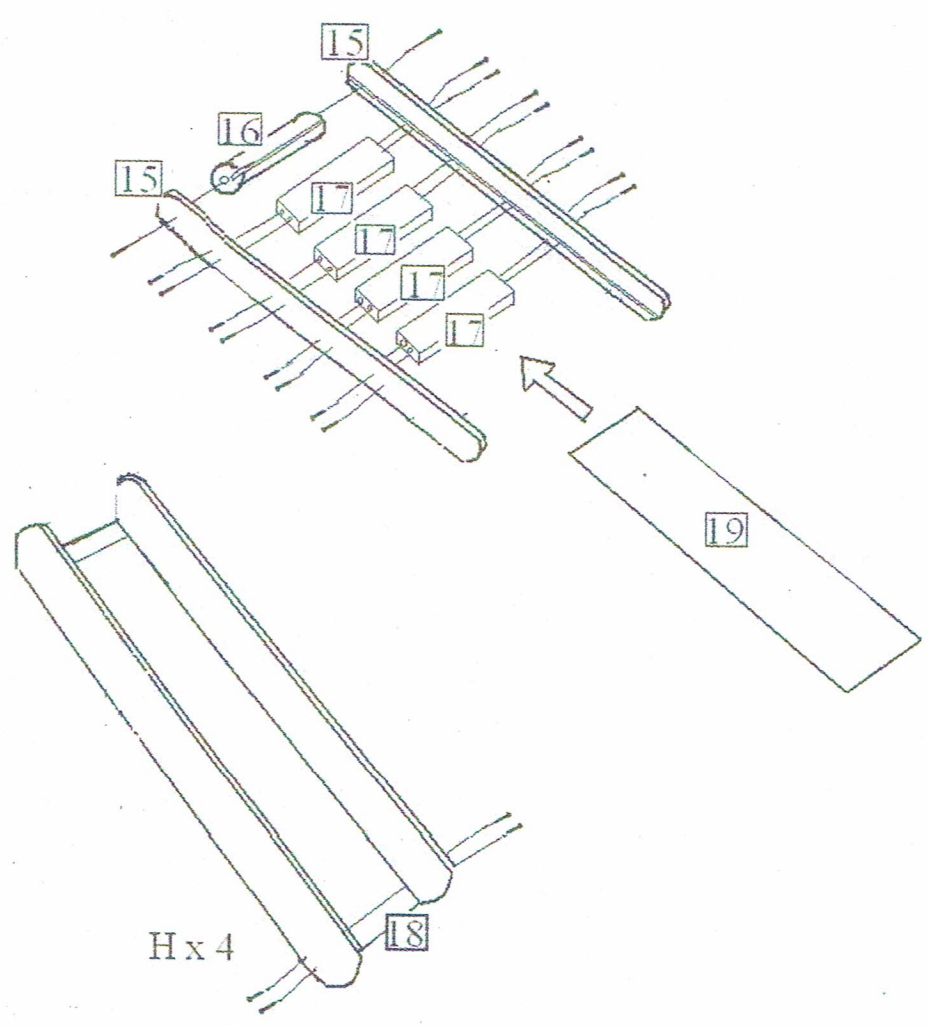
5. (J) x 5 (F) x 3 (I) x 2



6. $\textcircled{K} \times 4$ $\textcircled{C} \times 4$ $\textcircled{I} \times 2$ $\textcircled{J} \times 2$

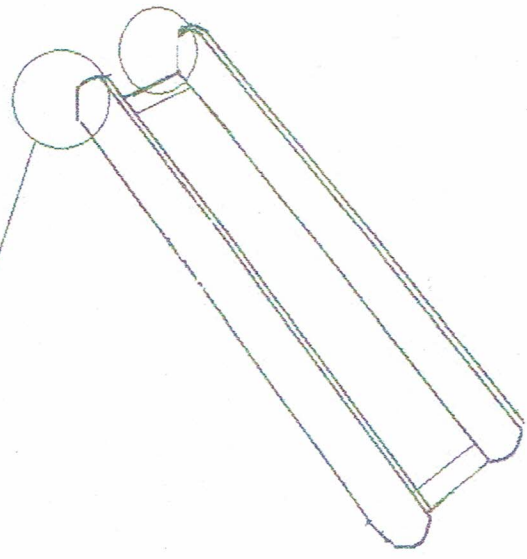
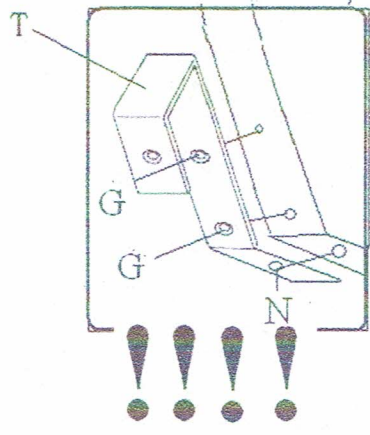


7. $\textcircled{H} \times 22$



8. (G) X 4 (T) X 2 (N) X 2

Important!! Pay attention to this hook assembly! G for upper assembly, and N for low



9. (N) X 2 (R) X 26 (G) X 32

