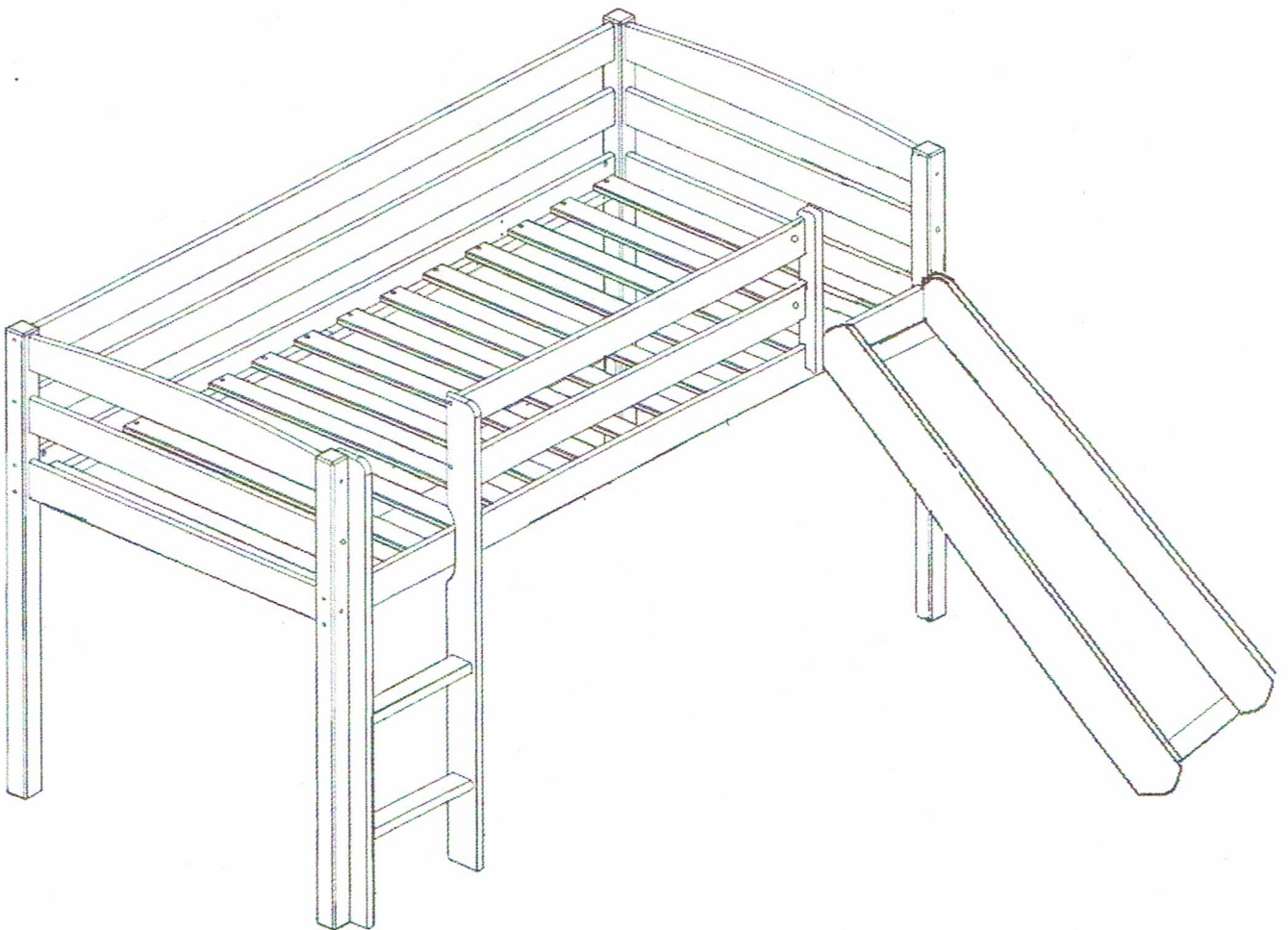
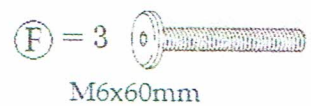
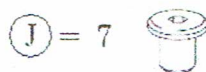
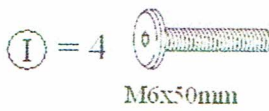
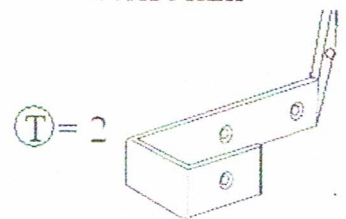
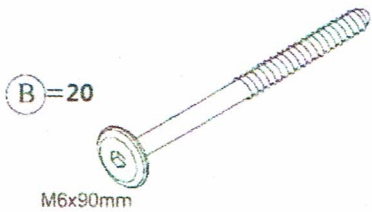
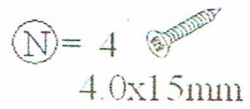
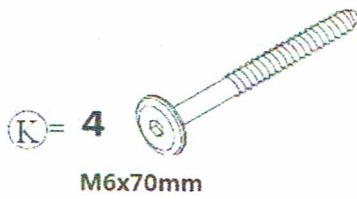
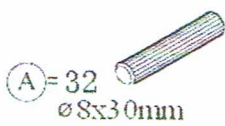
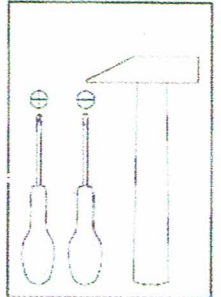
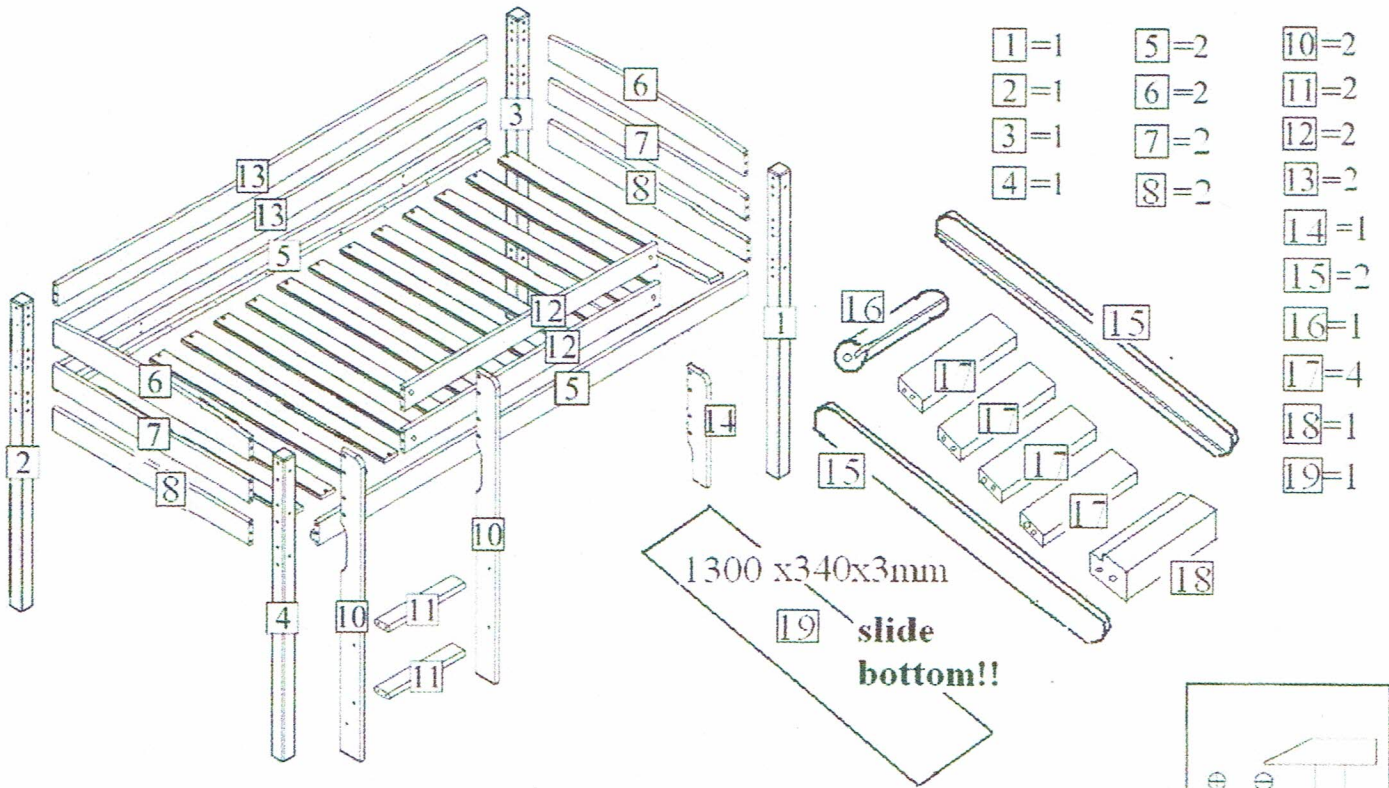
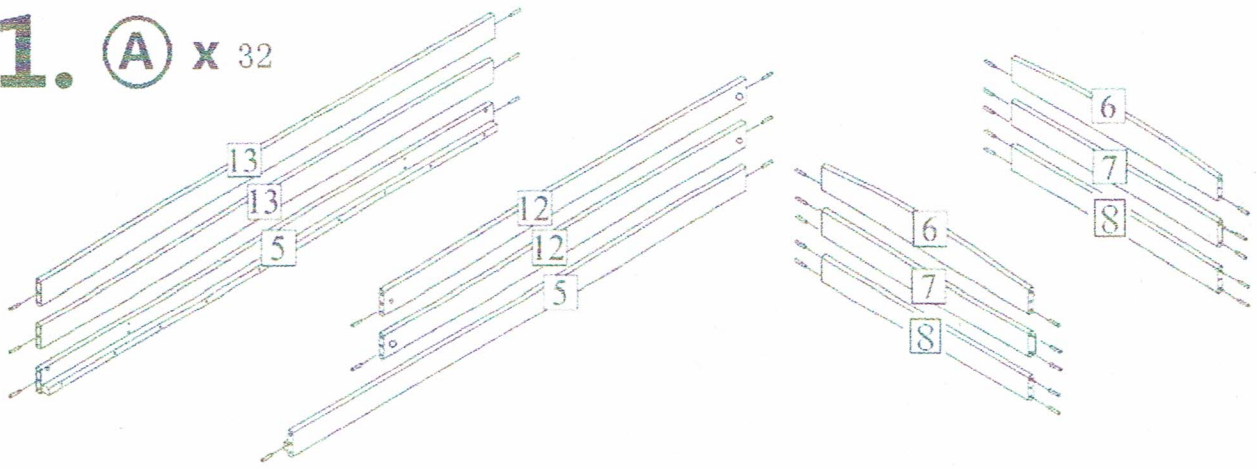


200*90cm



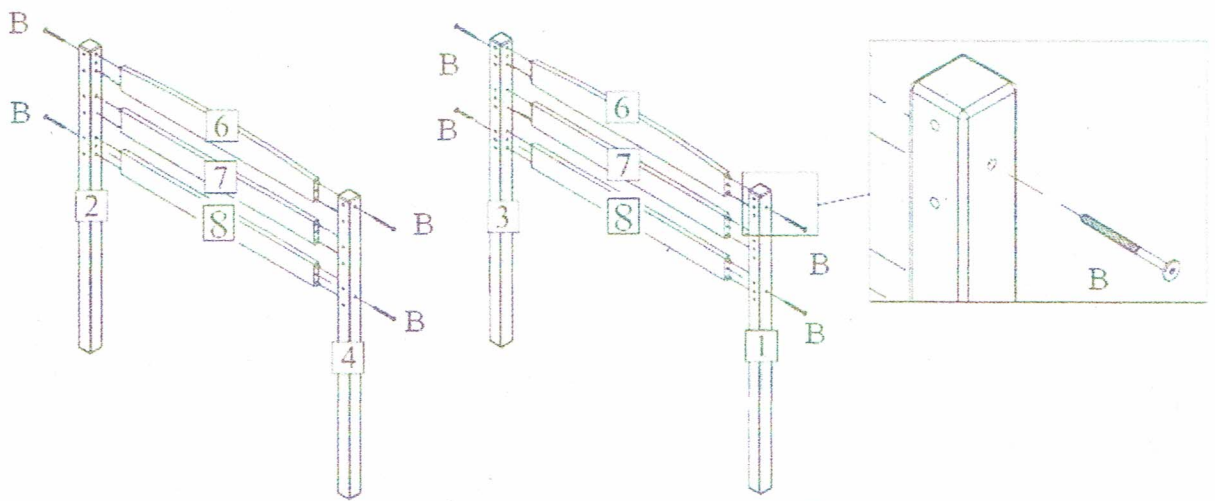


1. (A) x 32



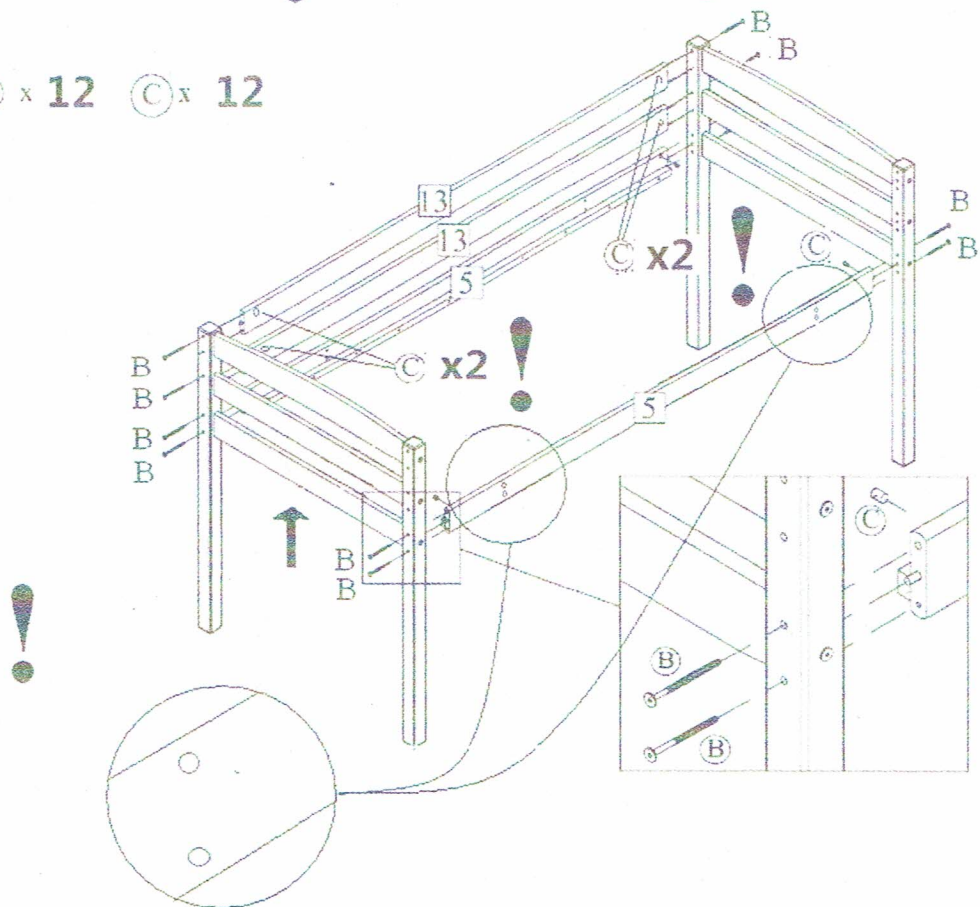
2.

(B) x 8 (C) x 8

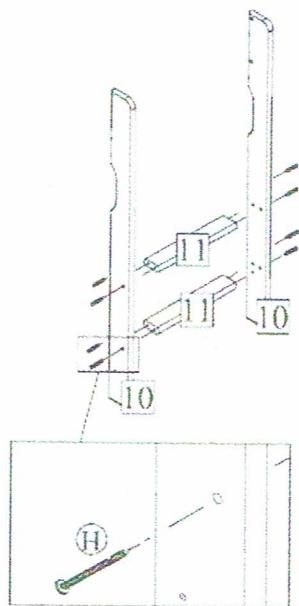


3.

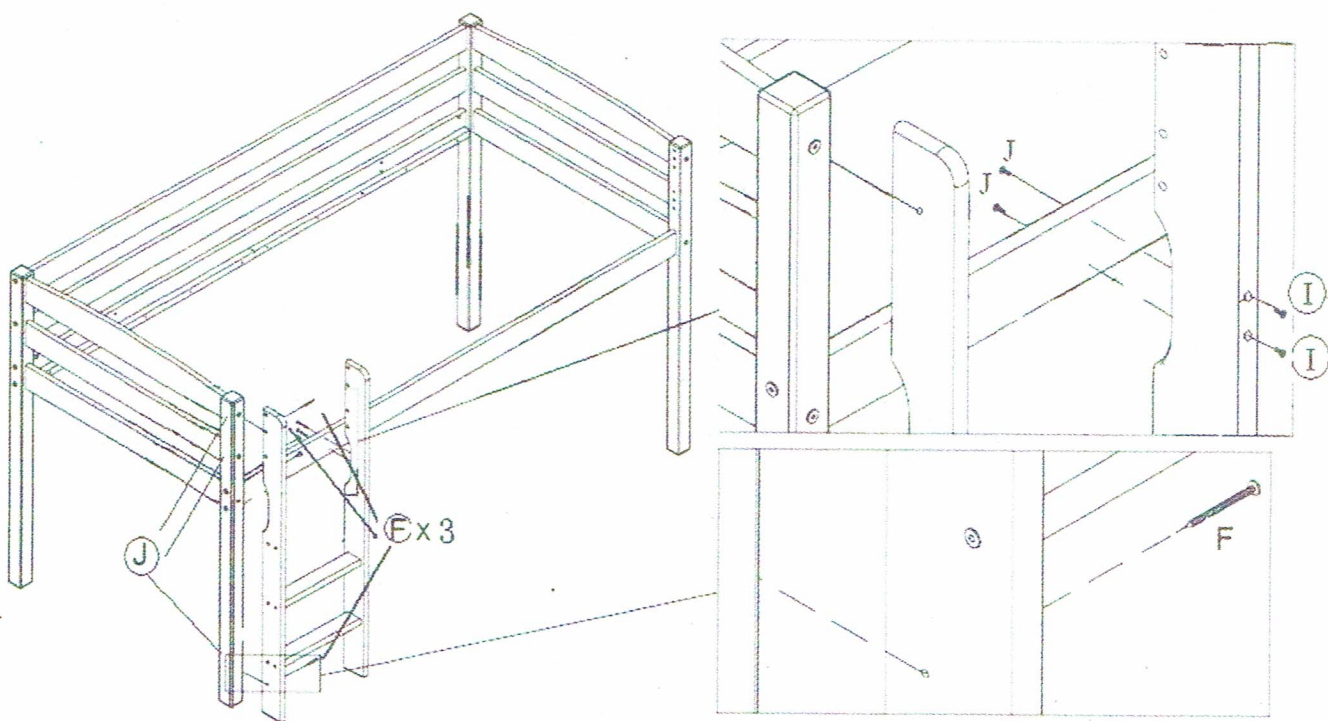
(B) x 12 (C) x 12



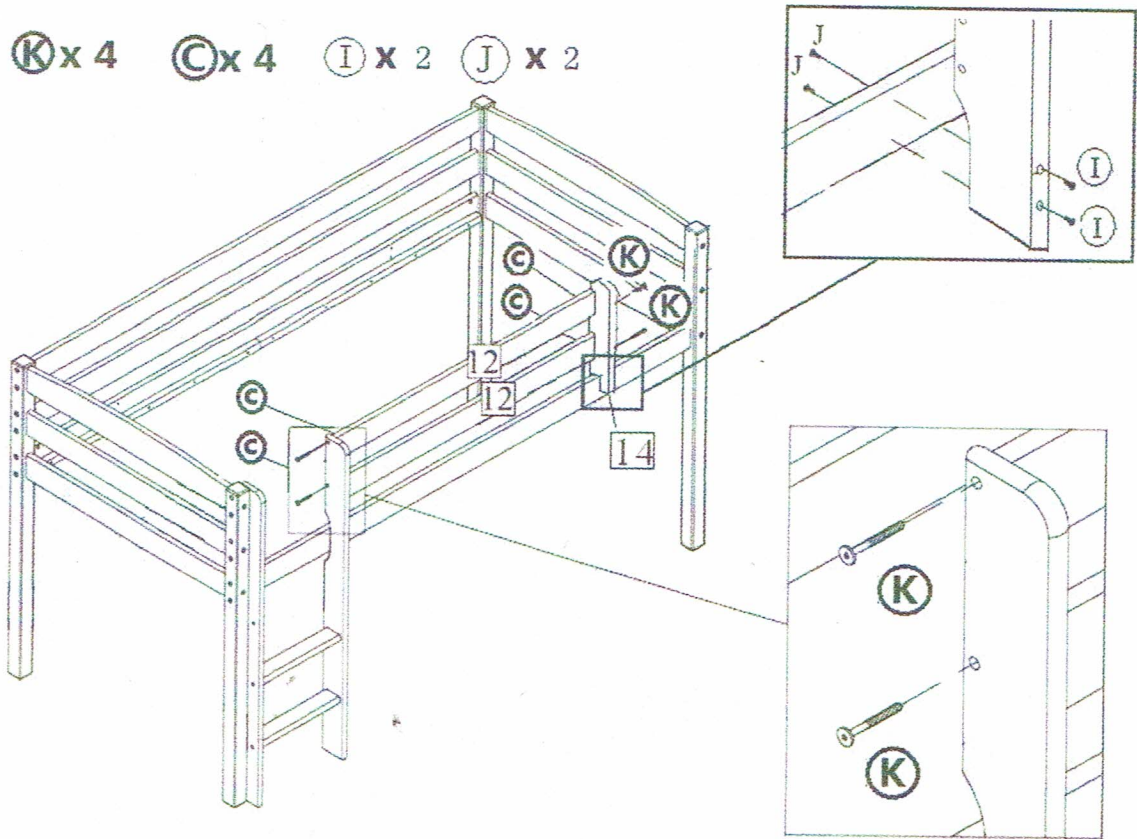
4. (H) x 8



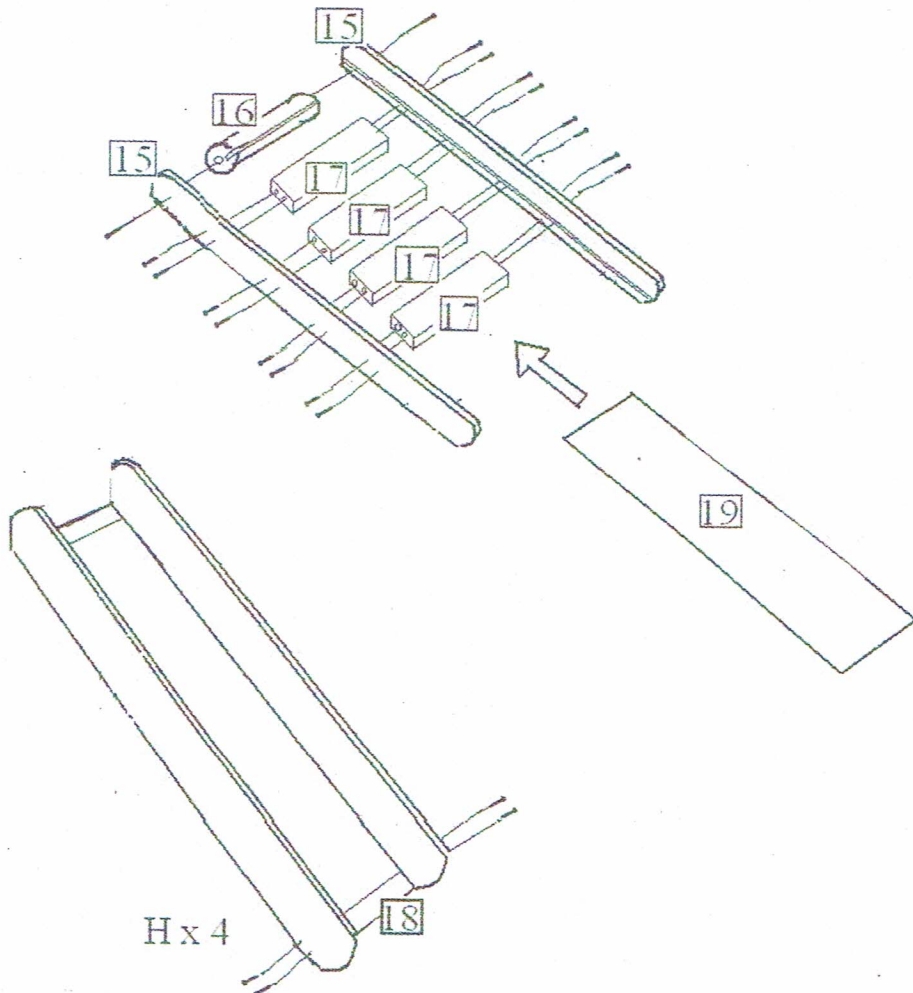
5. (J) x 5 (F) x 3 (I) x 2



6. $\textcircled{K} \times 4$ $\textcircled{C} \times 4$ $\textcircled{I} \times 2$ $\textcircled{J} \times 2$

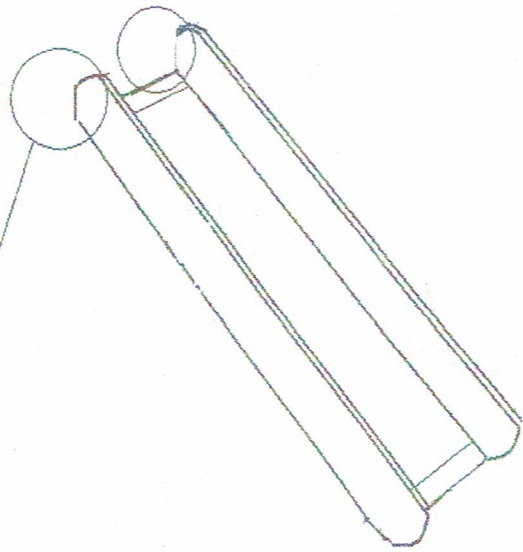
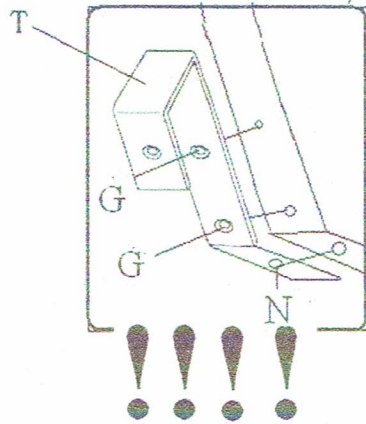


7. $\textcircled{H} \times 22$

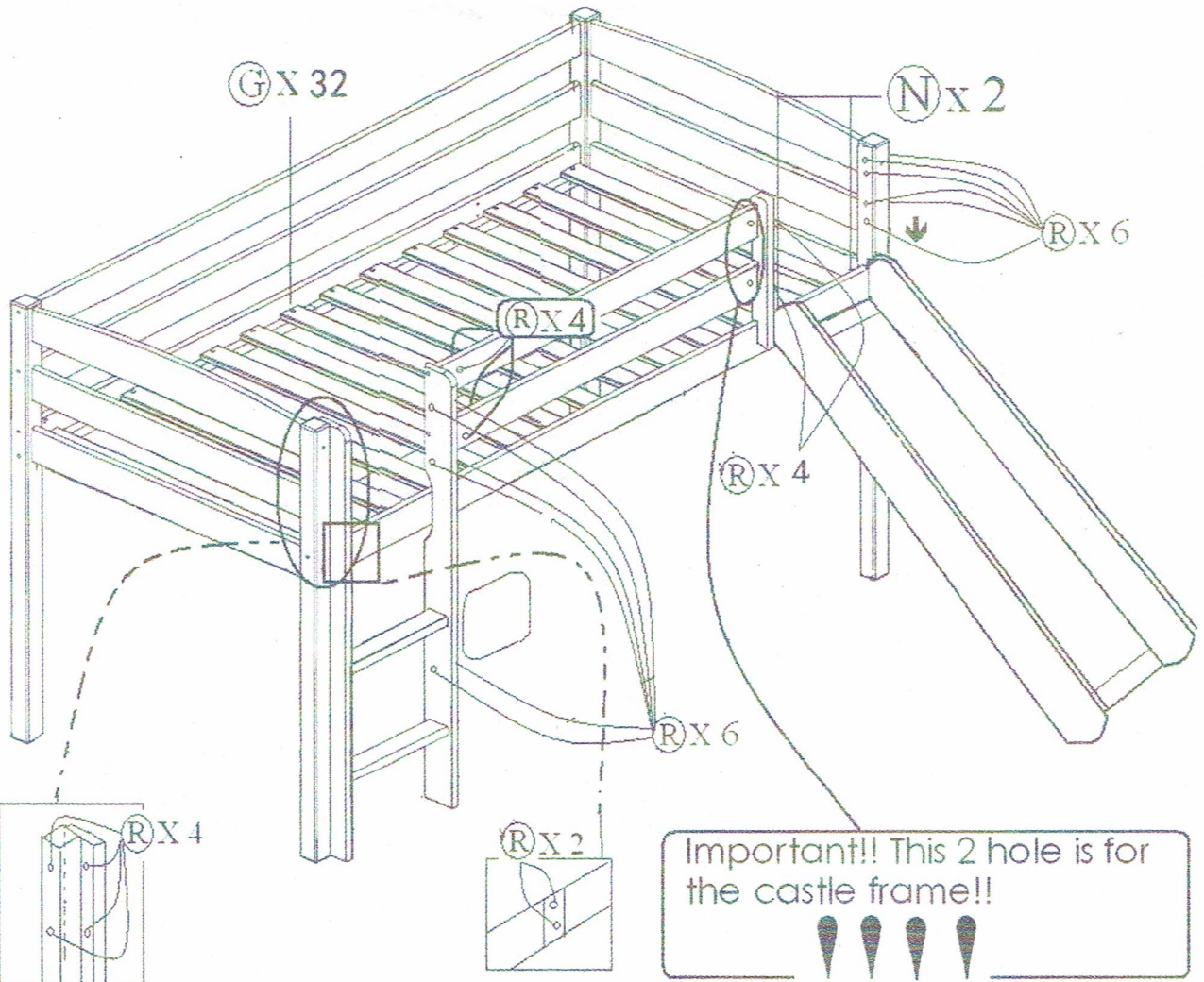


8. G X 4 T X 2 N X 2

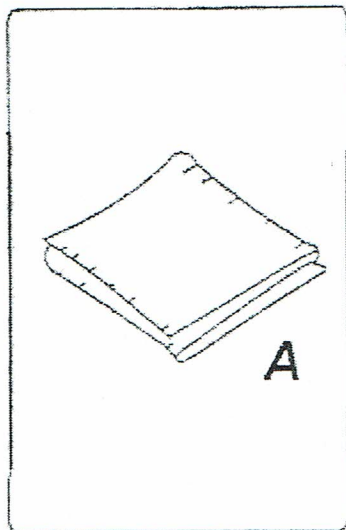
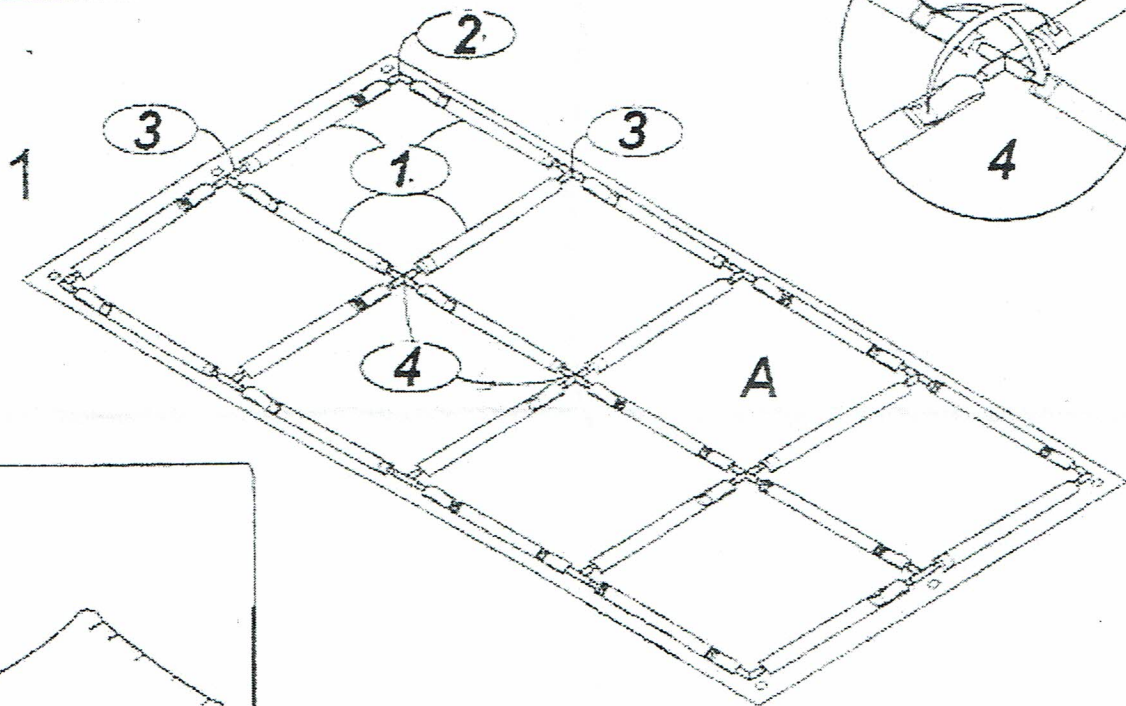
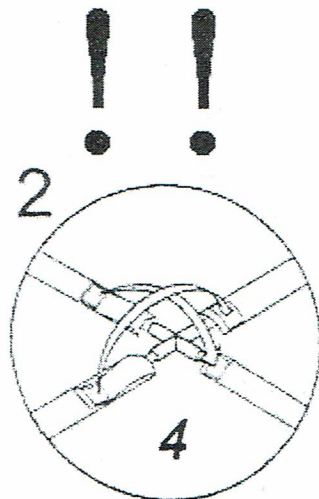
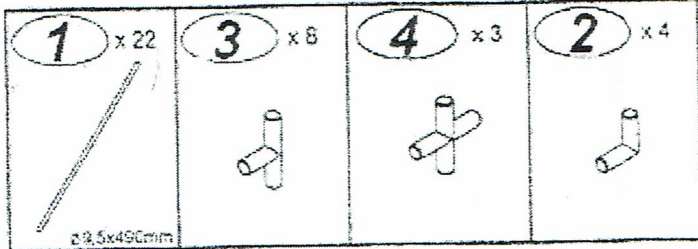
Important!! Pay attention to this hook assembly! G for upper assembly, and N for low

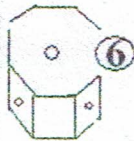
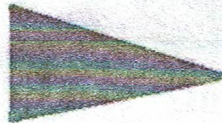
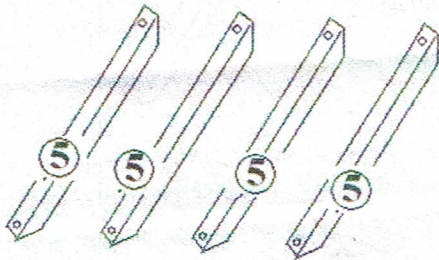
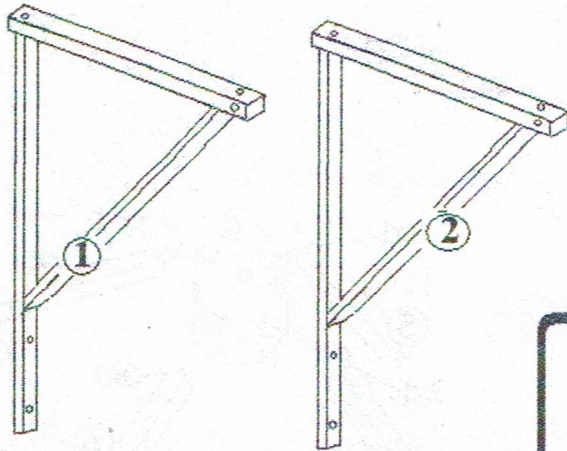


9. N x 2 R x 26 G X 32

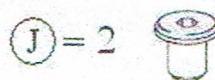
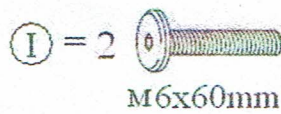
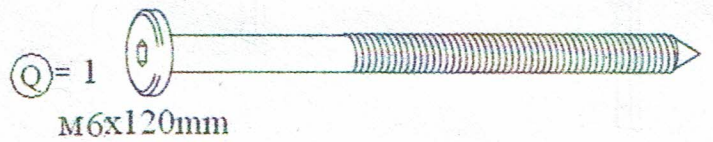
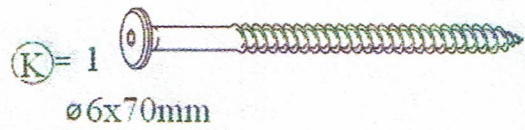
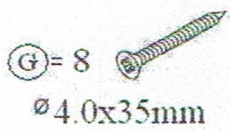
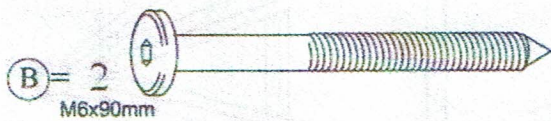


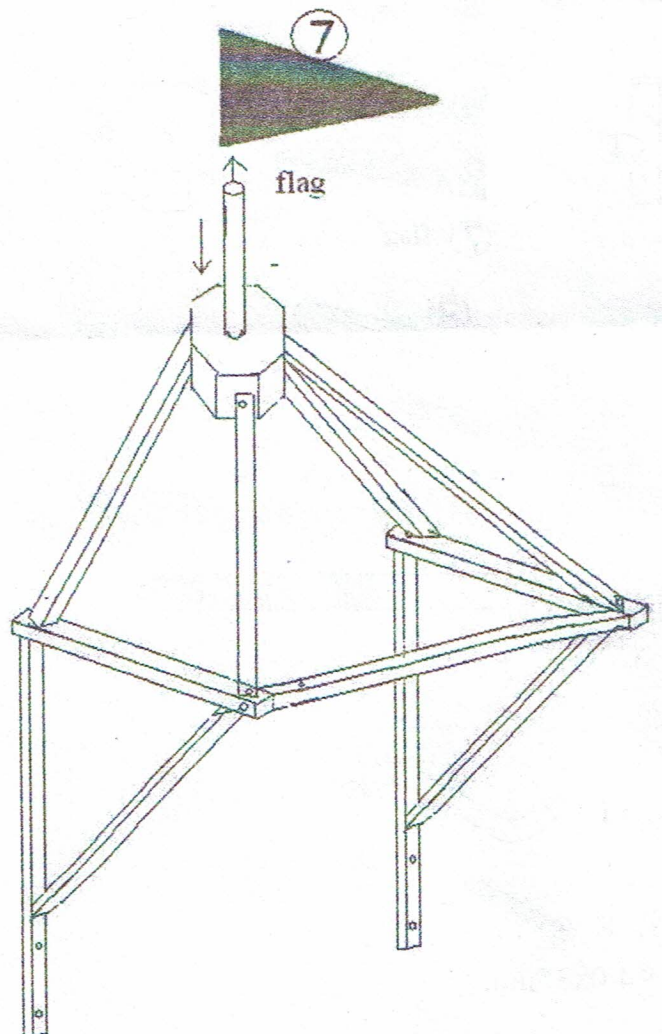
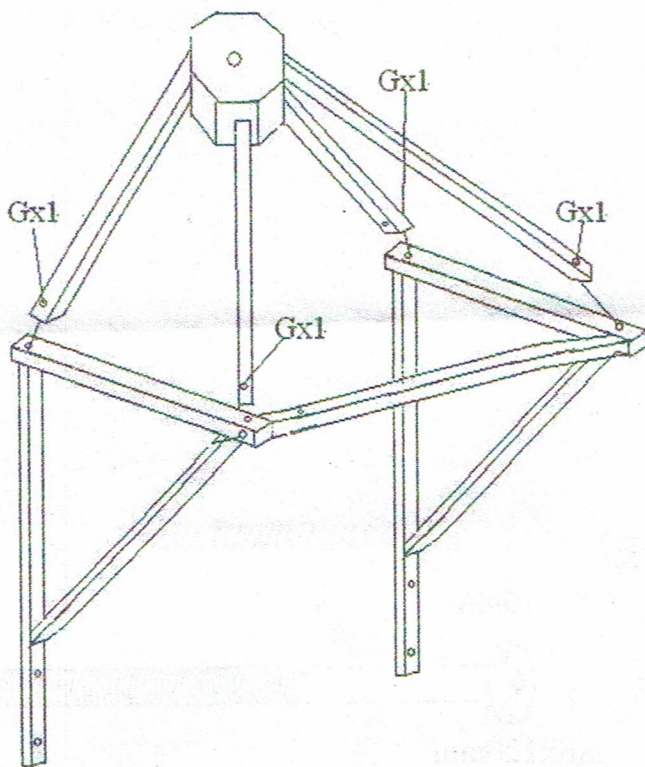
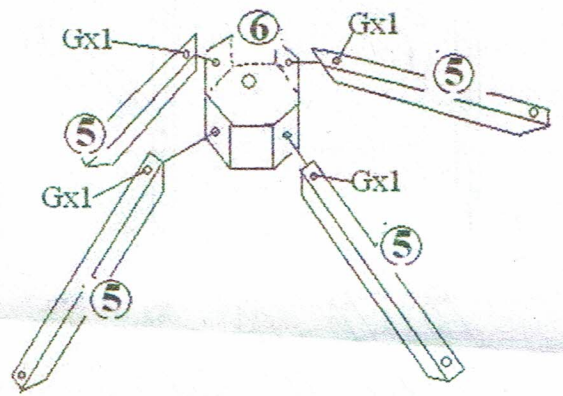
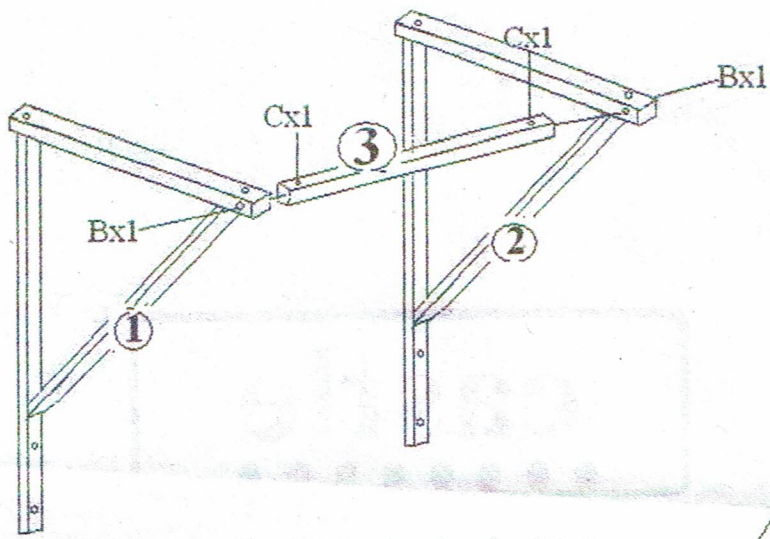
Important!! This 2 hole is for the castle frame!!



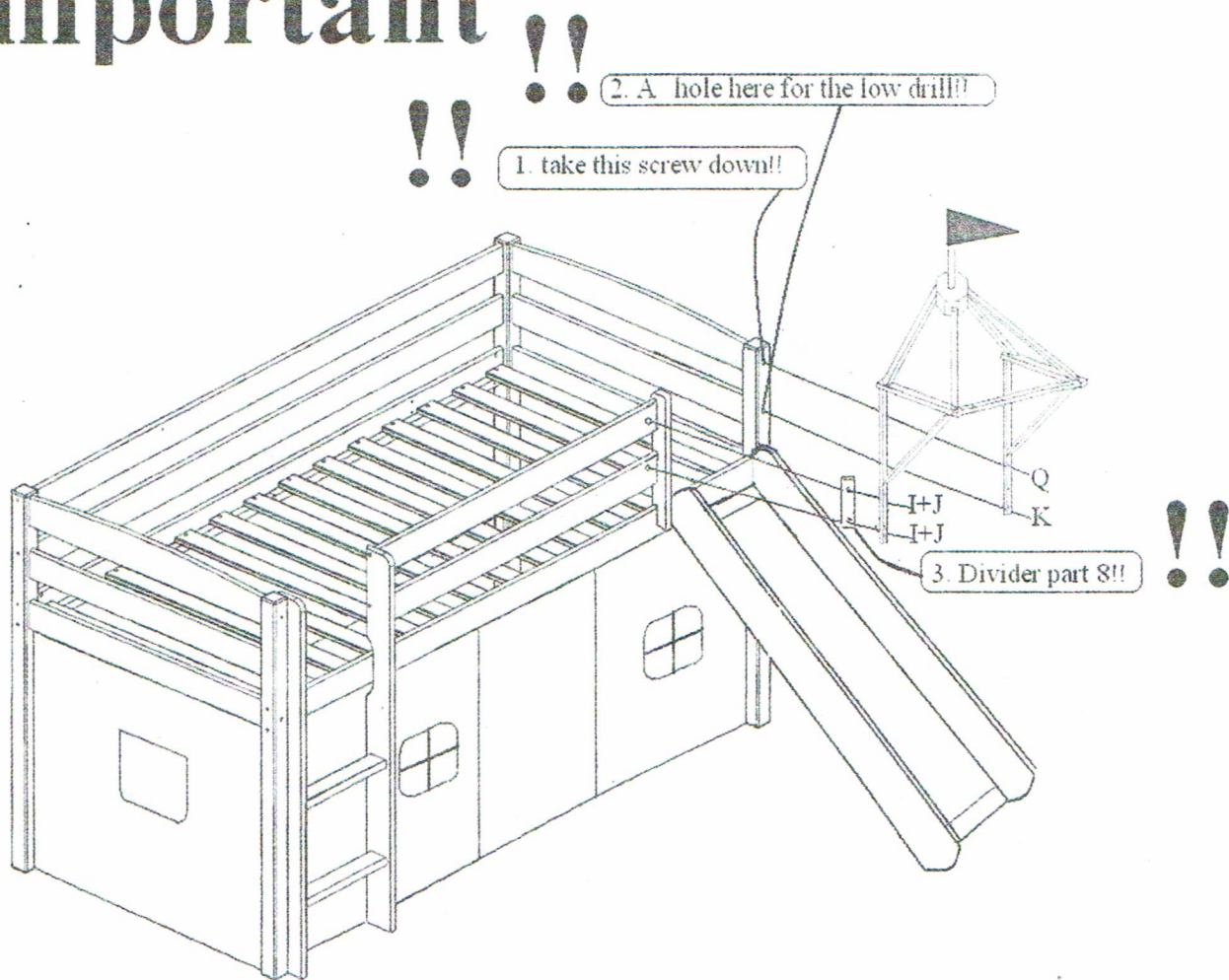


7 flag

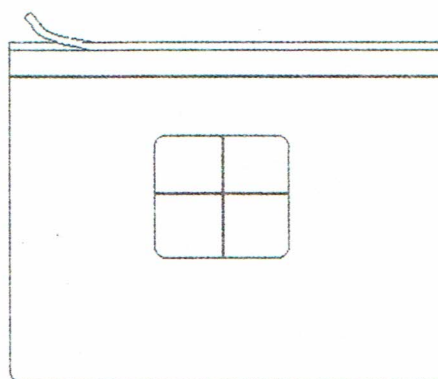




important



Step 1: take the cover paper on the velcro away!
Step 2: stick the male side onto inside of the bed frame!
Step 3: attach the tent!



Note:

1. attach tent 1 and 5 onto inside of endrail! Tent 2,3,4 onto inside of front side rail!!
2. Tent washable!

NOTE: Finally put the textile castle onto the support frame!!

