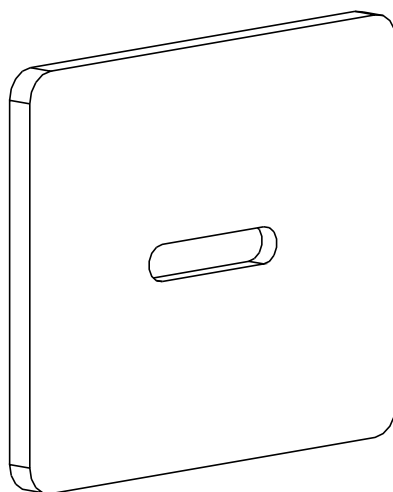


Assembly instructions - please keep for future reference

80364557  
80364558



## Dimensions

Width - 34,3 cm  
Depth - 1,9 cm  
Height - 28.4 cm

**Important-** Please read these instructions fully before starting assembly

If you need help or have damaged or missing parts, call the **Customers Helpline:** 0844 8008475



# Instructions for use

## IMPORTANT, READ CAREFULLY- RETAIN FOR FUTURE REFERENCE

**WARNING:** This product is suitable for children above the age of 6 years old.

### Before starting assembly:

\*Do not use this item if any structural part is broken or missing.

\*Check you have all the components and tools listed.

\*Remove all fittings from the plastic bags and separate them into their groups.

\*Keep children and animals from the work area, small parts could choke if swallowed.

\*Make sure you have enough space to lay out the parts before starting.

\*Assemble the items as close to its final position (in the same room) as possible.

\*Assemble on the soft level surface to avoid damaging the unit or your floor.

\*This furniture meets the european standard certification BS 4875-7:2006, FRQG C001:2008 & FRQG C004:2008



We do not recommend the use of power drills/drivers for inserting screws, as this could damage the unit. Only use hand screwdrivers.

\*Dispose of all packaging carefully and responsibly.

\*Assembly should be carried out by competent adult only.

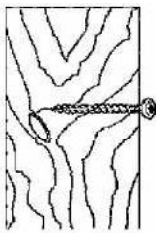
### Care and maintenance:

\* Only clean using a damp cloth and mild detergent, do not use bleach or abrasive cleaners.

\*Regularly check all fastenings to ensure that they properly tightened.

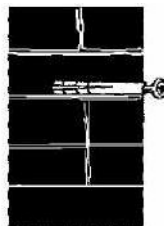
\*Our furniture will endure most temperatures in the home but it is best to avoid placing furniture next to the heat sources such as radiators or fires. Be particularly careful with solid wood as the lack of humidity caused by central heating can cause damage such as warping.

#### Wall Fixing (if required)



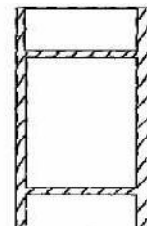
Wood

If fixing to wood make sure that it isn't chipboard as screws can easily pull away.



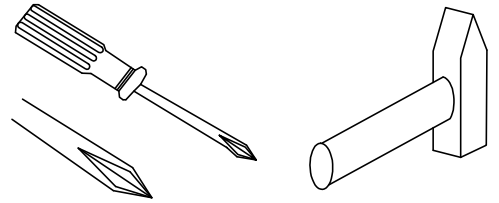
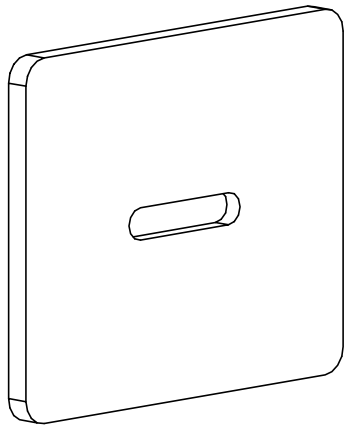
Brick or Masonary

Use an appropriate wall plug provided you are sure your wall is sound.

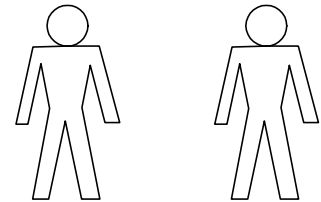


Cavity wall

Special toggle wall plugs are needed. Seek expert advice.

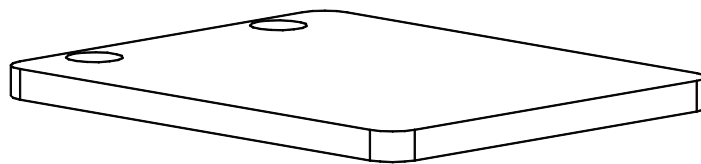


Tools that are needed



## Components- Panels

Please check that you have the panels listed below

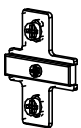


1 doors x2  
284x343x19 mm

## Components- Fittings

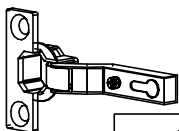
Please check that you have the fittings listed below

A



x4

B



x4

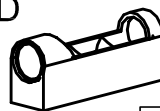
C



Ø3,5x15

x8

D



x2

E



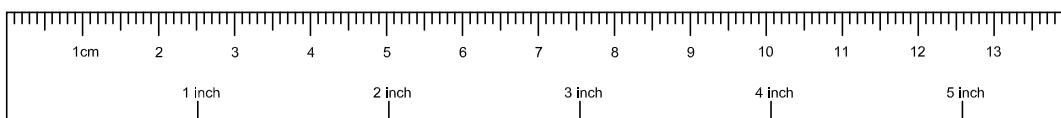
x2

F



Ø3x15

x4



Rulers- Use this ruler to help correctly identify the screws

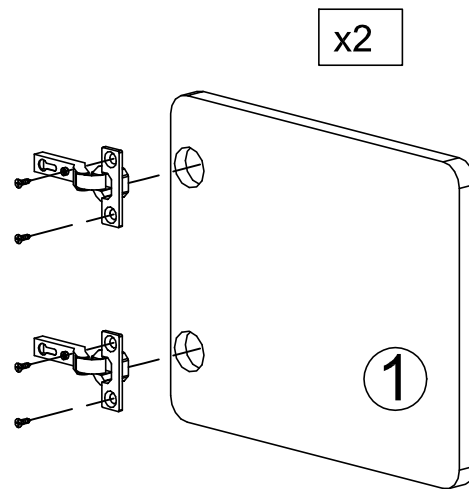
## Step 1

In this step use these fittings:

B x2

C x4

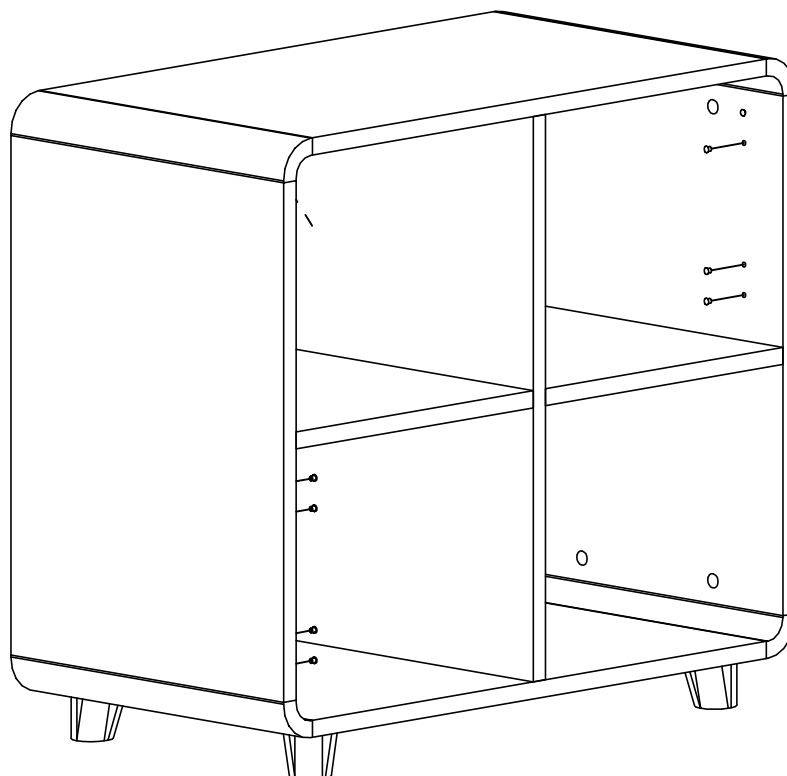
Assemble hinges B with screws C using Phillips head screwdriver.



## Step 2

### Cube unit

Remove the cap with holes for hinges.



### Step 3

### Cube unit

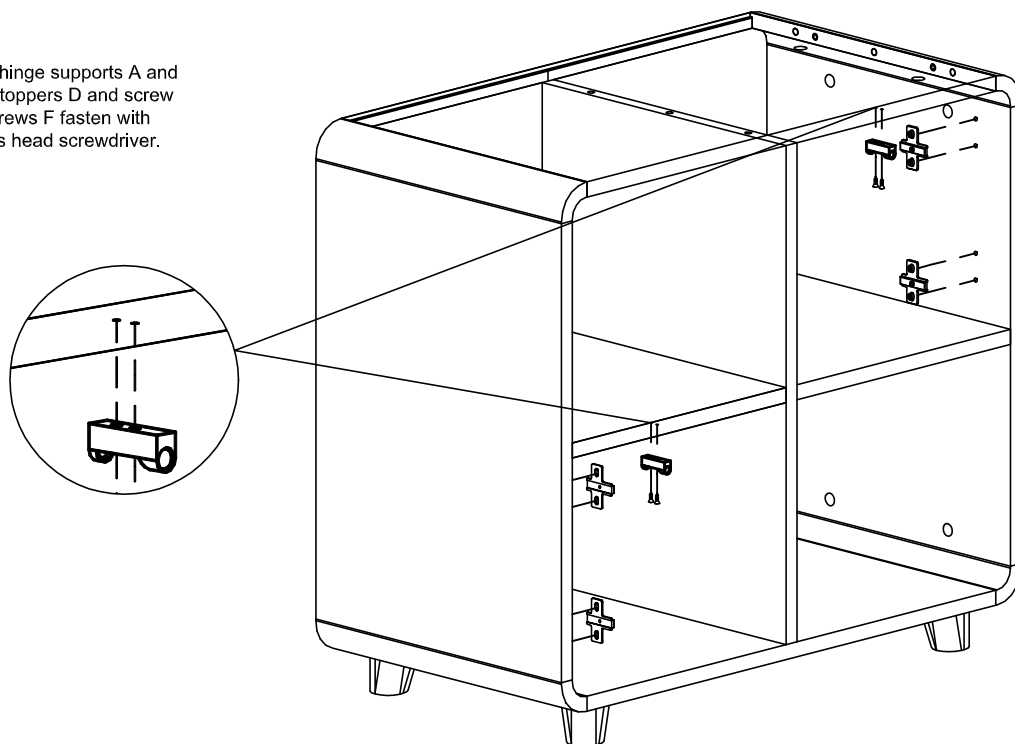
In this step use these fittings:

A x2

D x2

F x4

Place hinge supports A and door stoppers D and screw the screws F fasten with Phillips head screwdriver.



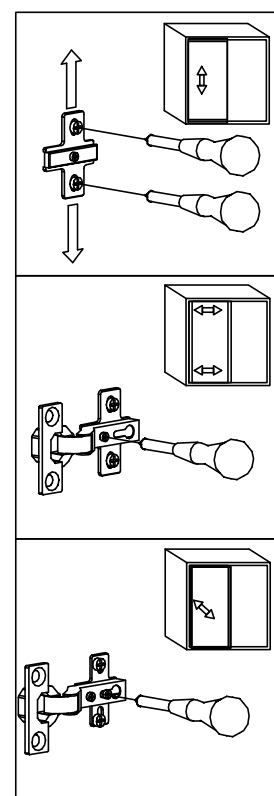
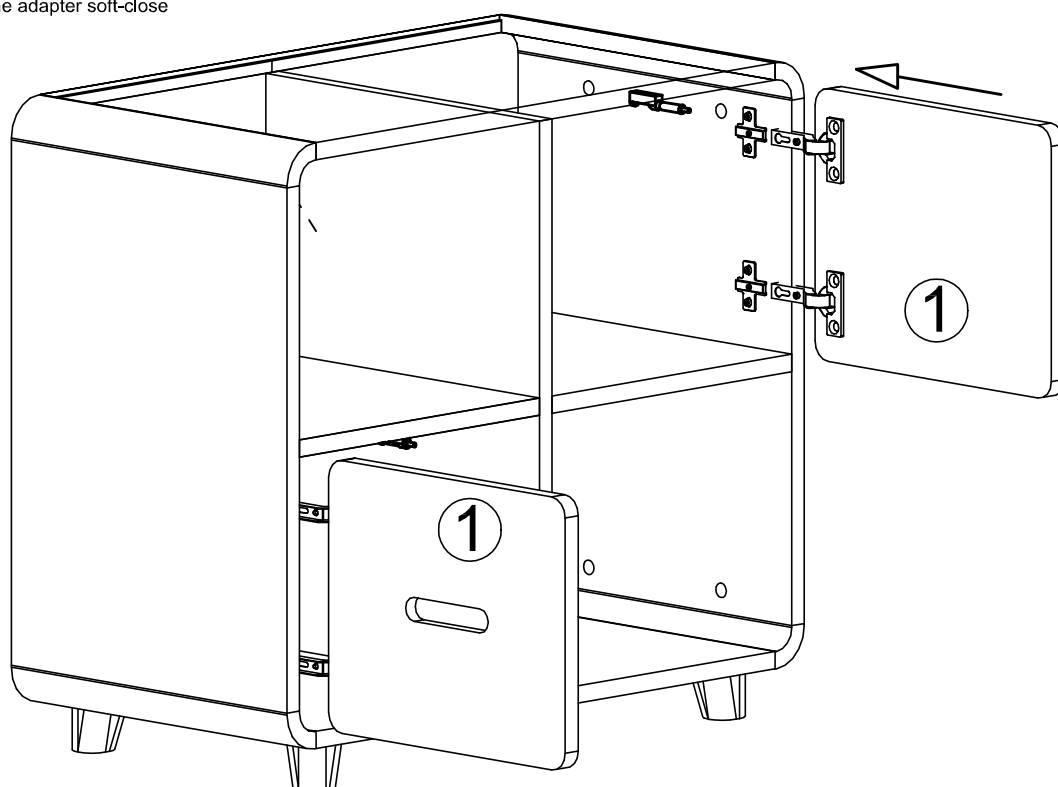
### Step 4

### Cube unit

In this step use these fittings:

E x2

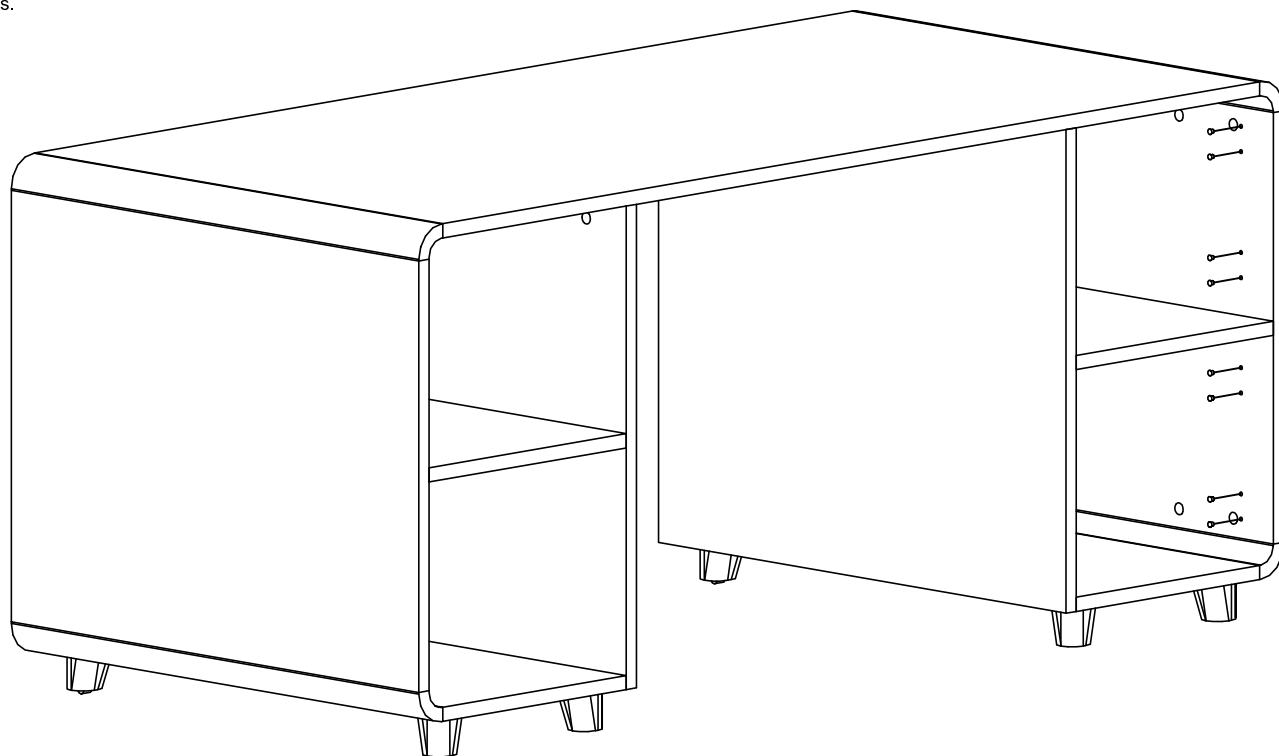
Assemble and adjust doors 1 using Phillips head screwdriver. And insert the adapter soft-close



## Step 2

## Desk

Remove the cap with holes for hinges.



## Step 3

## Desk

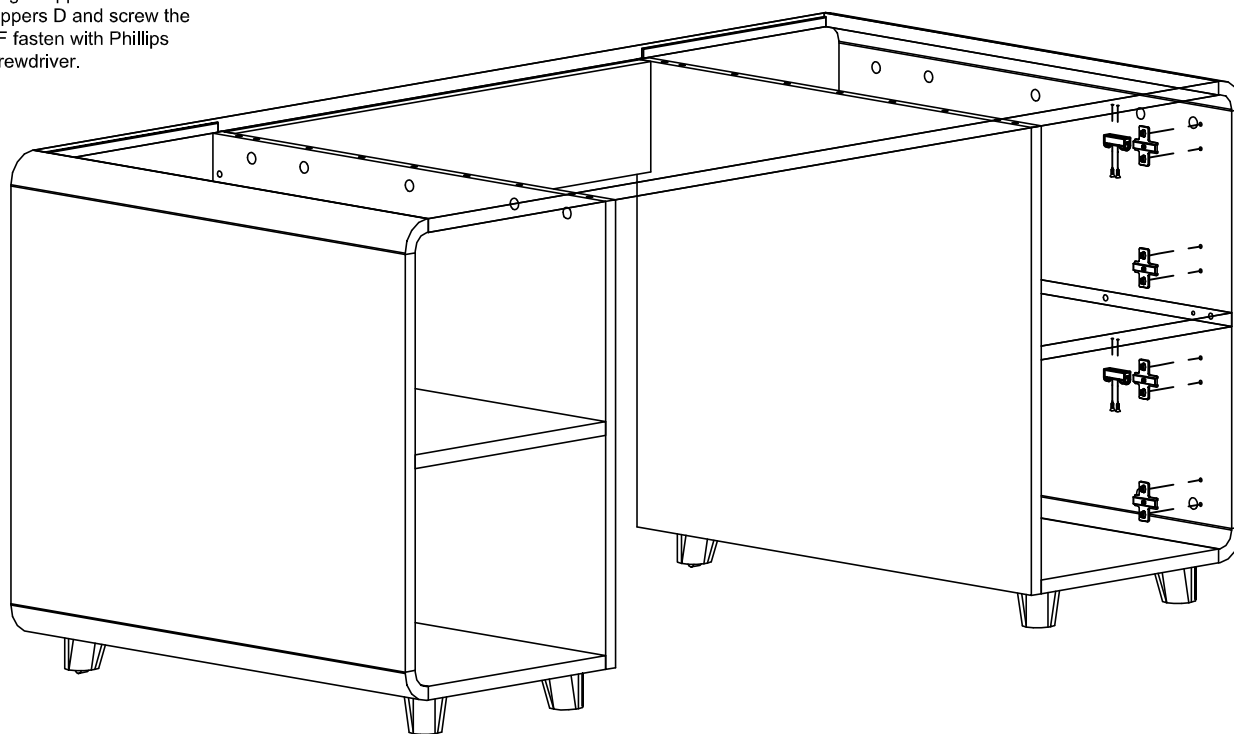
In this step use these fittings:

A x4

D x2

F x4

Place hinge supports A and door stoppers D and screw the screws F fasten with Phillips head screwdriver.



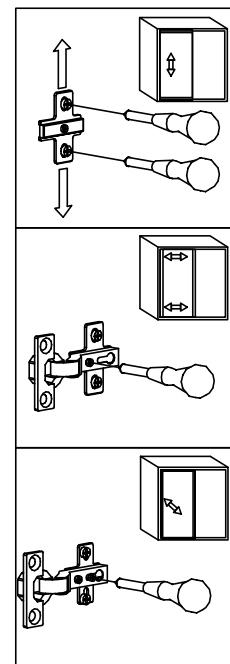
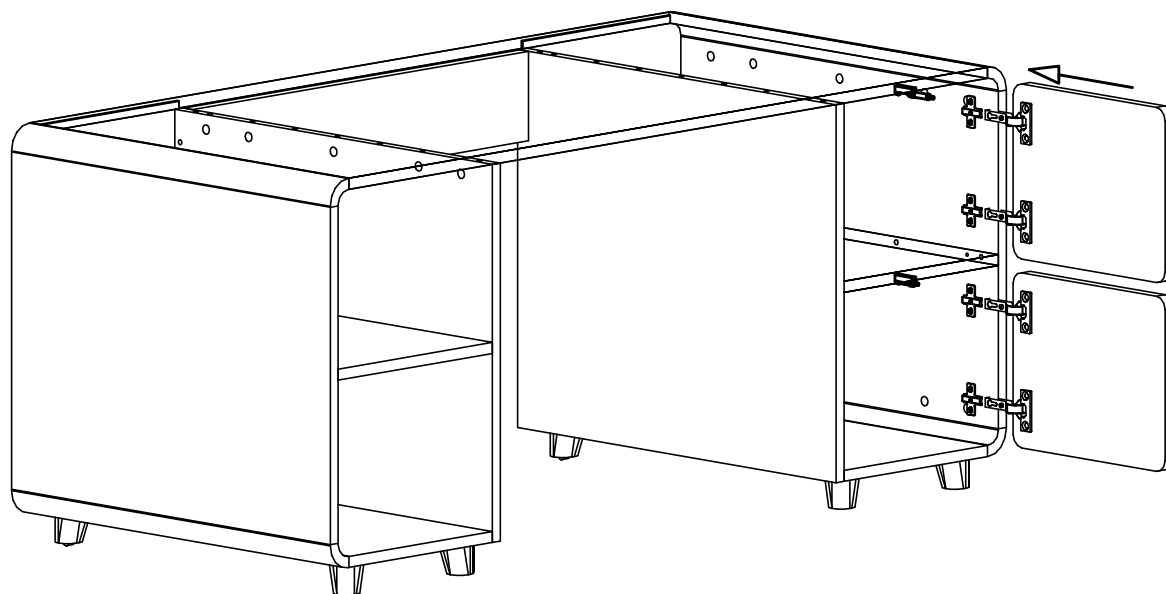
## Step 4

## Desk

In this step use these fittings:

E x2

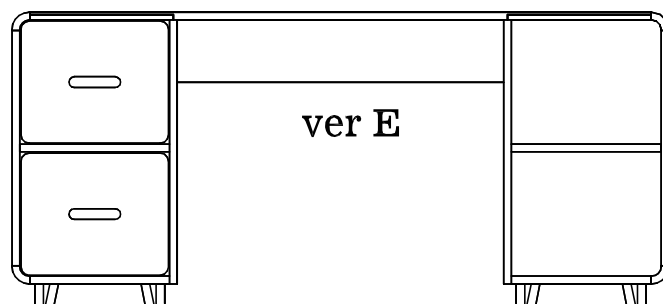
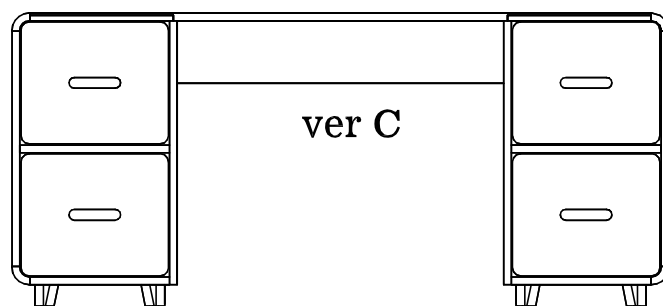
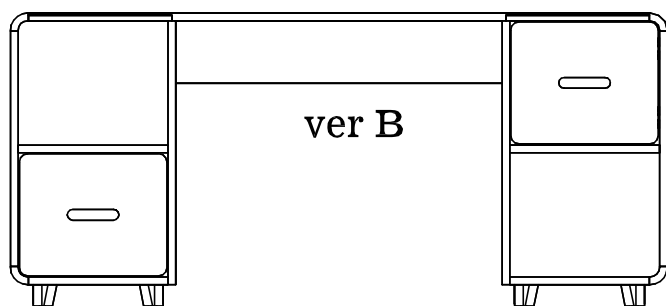
Assemble and adjust doors 1 using Phillips head screwdriver. And insert the adapter soft-close



Other versions

Version C To the other side (left) the need for a second set of doors, repeat steps 2-4

## Desk



# Assembly Instructions

## Customer Notice

Dear Customer,

Congratulations on the recent purchase of your furniture!

### Customer Service:

For missing or spare parts requests please contact us Monday to Friday – 10am to 3pm in one of the following ways:

Phone: 0844 8008475

Email: [Spares@stompa.com](mailto:Spares@stompa.com)

Please inform: product, colour, where did you buy it, part no, quantity and reason for request. We need your full name, address and telephone number.

Fax: Please complete the enclosed Service Form and fax to 0560 1132071

By post: Please complete the enclosed Service Form and post to:

Nordika Design Ltd.  
High Rigg  
Panorama Drive  
Ilkley, LS29 9RA

We will do our utmost to supply spare parts within 7-10 working days of receipt of request.

Our quality control team has ensured a high quality product that we are sure you will be pleased with. Any components produced from solid wood will contain knots and may have surface defects which are a feature of a natural product.



# Customer Service Form

Please return complete to

Fax: 0560 1132071

Name: \_\_\_\_\_

Address: \_\_\_\_\_

\_\_\_\_\_

\_\_\_\_\_

\_\_\_\_\_

\_\_\_\_\_

Contact No: \_\_\_\_\_

Date of purchase: \_\_\_\_\_

Place of purchase: \_\_\_\_\_

Product Name: \_\_\_\_\_

See assembly instructions:

Problem: \_\_\_\_\_

\_\_\_\_\_

\_\_\_\_\_

\_\_\_\_\_

Parts Needed: Part No. Quantity Description

Please quote assembly

e.g drawer base

instruction or number

\_\_\_\_\_

\_\_\_\_\_

\_\_\_\_\_

\_\_\_\_\_

\_\_\_\_\_

\_\_\_\_\_

\_\_\_\_\_

\_\_\_\_\_

\_\_\_\_\_

\_\_\_\_\_

\_\_\_\_\_

\_\_\_\_\_

\_\_\_\_\_

\_\_\_\_\_

\_\_\_\_\_