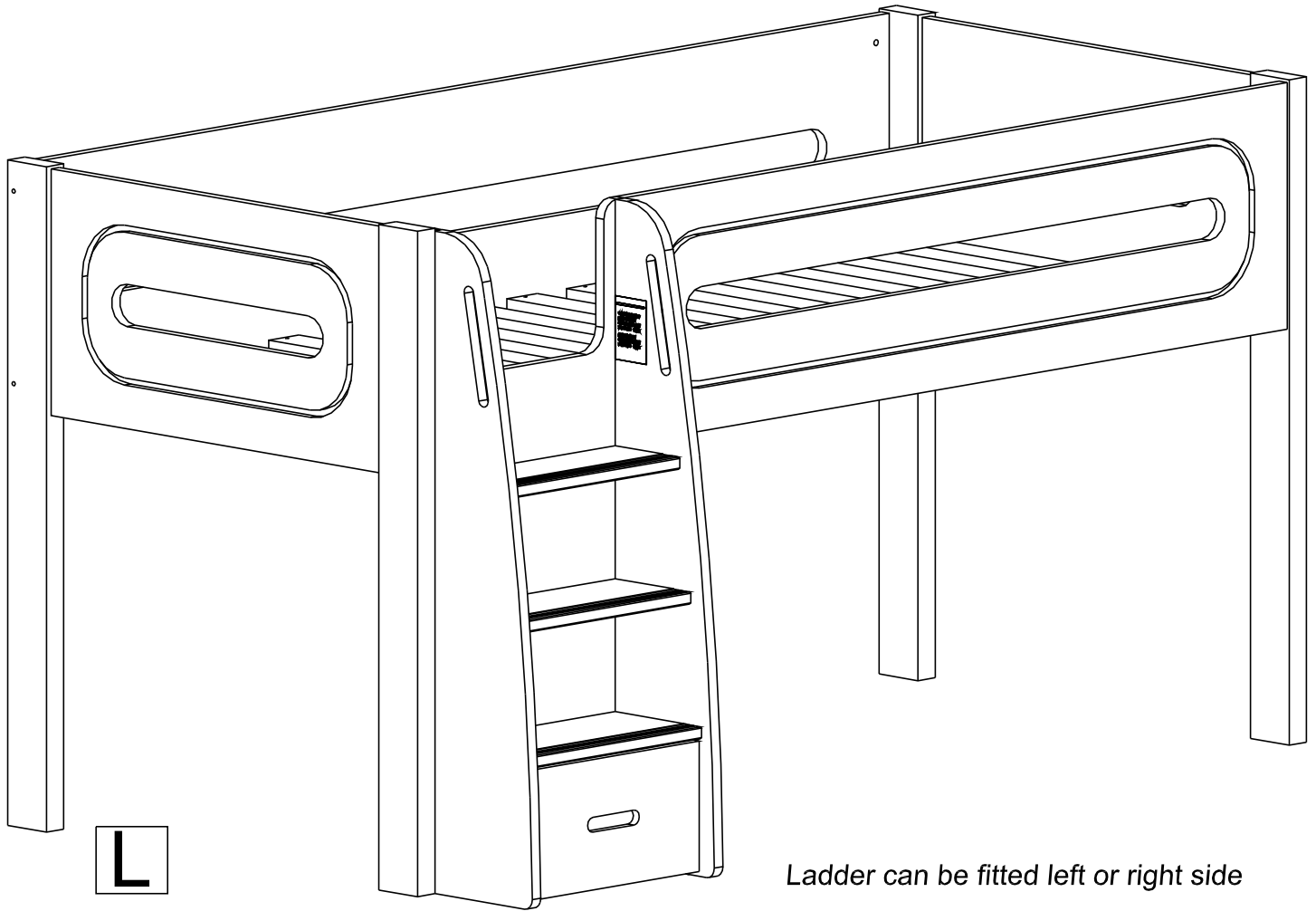


Stompa[®] Mid Sleeper with Storage Ladder

Assembly instructions - please keep for future reference

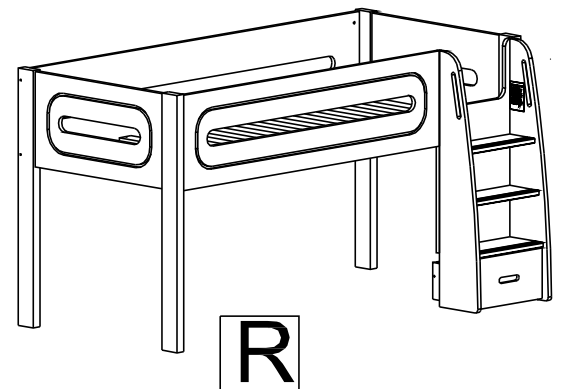
80364552



Ladder can be fitted left or right side

Dimensions

Width 205,9 cm
Depth - 117,5 cm
(with ladder)
Height - 110,6 cm



Important- Please read these instructions fully before starting assembly

If you need help or have damaged or missing parts, call the **Customers Helpline:** 0844 8008475



Instructions for use

IMPORTANT, READ CAREFULLY- RETAIN FOR FUTURE REFERENCE

WARNING: This product is suitable for children above the age of 6 years old.

Before starting assembly:

*Do not use this item if any structural part is broken or missing.

*Check you have all the components and tools listed.

*Remove all fittings from the plastic bags and separate them into their groups.

*Keep children and animals from the work area, small parts could choke if swallowed.

*Make sure you have enough space to lay out the parts before starting.

*Assemble the items as close to its final position (in the same room) as possible.

*Assemble on the soft level surface to avoid damaging the unit or your floor.

*This furniture meets the european standard certification BS 4875-7:2006, FRQG C001:2008 & FRQG C004:2008



We do not recommend the use of power drills/drivers for inserting screws, as this could damage the unit. Only use hand screwdrivers.

*Dispose of all packaging carefully and responsibly.

*Assembly should be carried out by competent adult only.

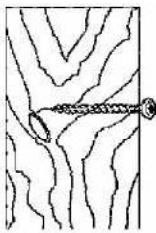
Care and maintenance:

* Only clean using a damp cloth and mild detergent, do not use bleach or abrasive cleaners.

*Regularly check all fastenings to ensure that they properly tightened.

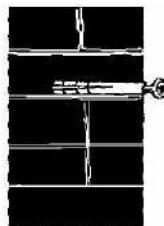
*Our furniture will endure most temperatures in the home but it is best to avoid placing furniture next to the heat sources such as radiators or fires. Be particularly careful with solid wood as the lack of humidity caused by central heating can cause damage such as warping.

Wall Fixing (if required)



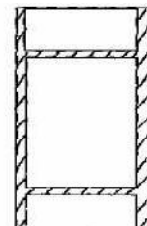
Wood

If fixing to wood make sure that it isn't chipboard as screws can easily pull away.



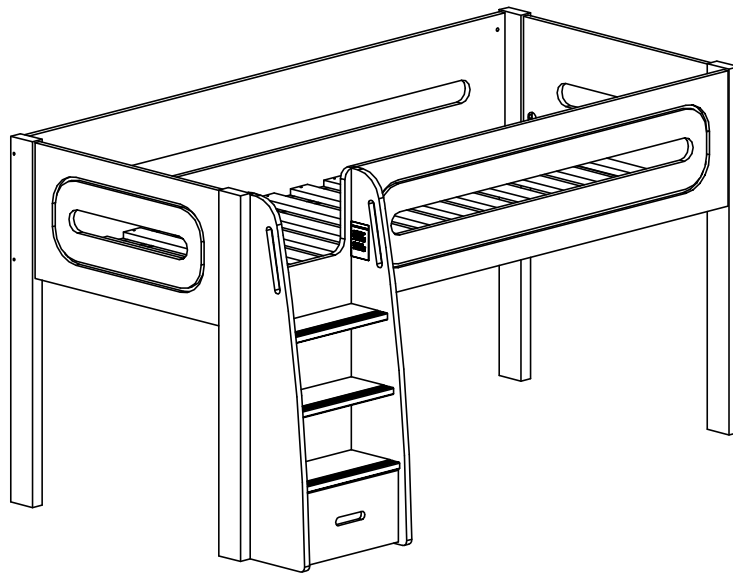
Brick or Masonary

Use an appropriate wall plug provided you are sure your wall is sound.



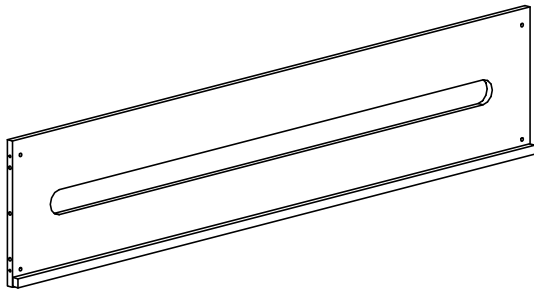
Cavity wall

Special toggle wall plugs are needed. Seek expert advice.

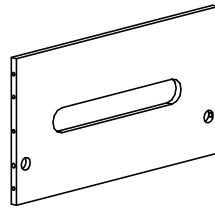


Components - Panels

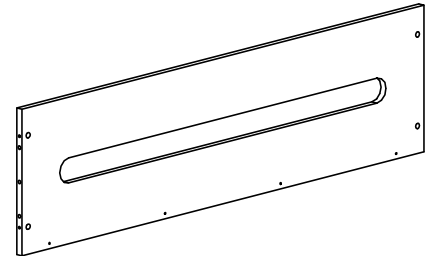
Please check that you have the panels listed below



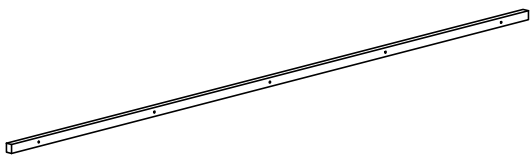
1 Bed back panel x1
1979x410x19 mm



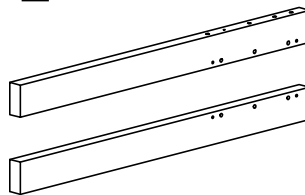
2 Bed side panel x2
770x410x19 mm



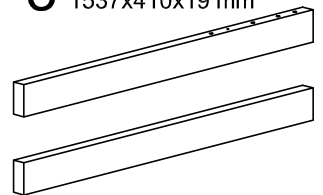
3 bed front panel
1537x410x19 mm



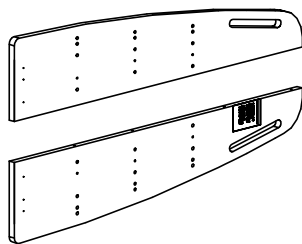
4 rail for slats x1
1976x25x25 mm



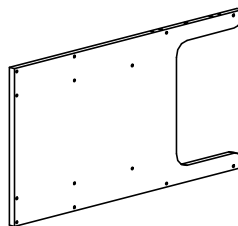
5 back leg left x1, right x1
1106x90x40 mm



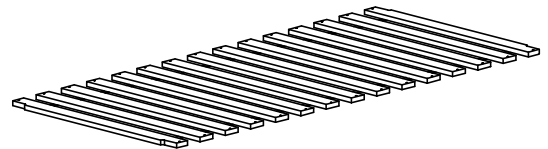
6 front leg left x1, right x1
1106x90x40 mm



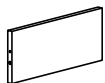
7 Ladder side left x1, right x1
1101x230x20 mm



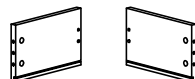
8 back panel ladder x1
870x442x19 mm



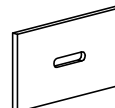
9 slats x1
~2000x895x19 mm



10 back drawer x1
345x146x16 mm



11 left and right side drawer x1
250x158x16 mm



12 drawer front x1
397x217x19 mm



13 bottom drawer x1
355x253x3 mm



14 front slat ladder rungs x3
402x40x20 mm



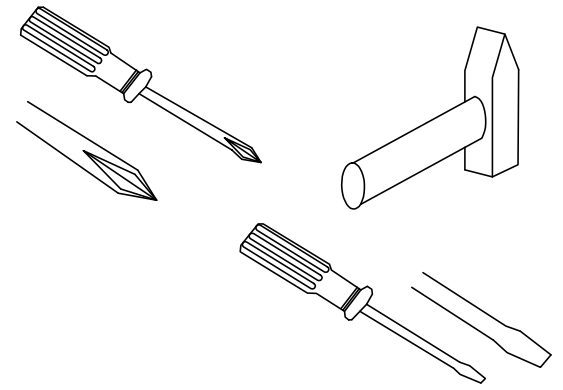
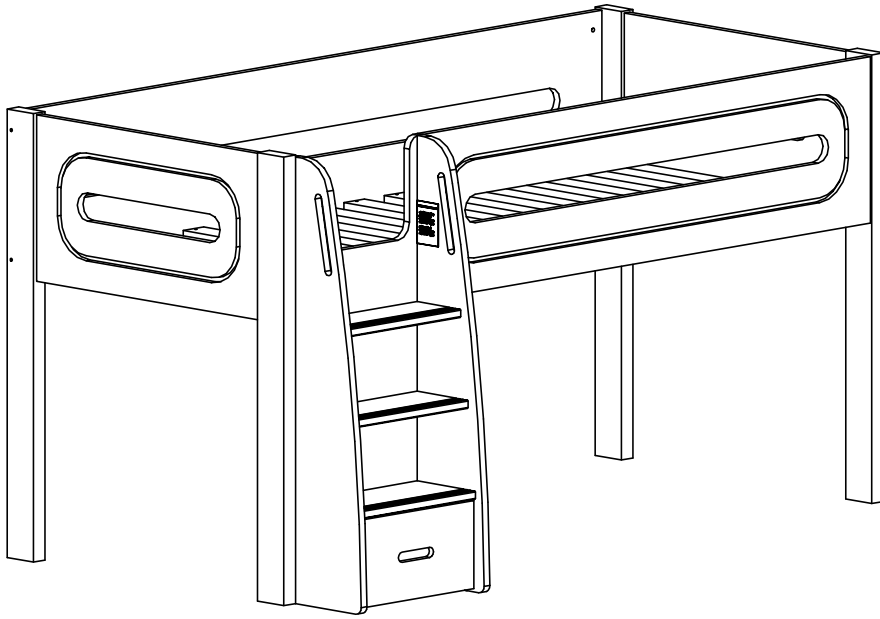
15 upper step ladder x1
402x110x19 mm



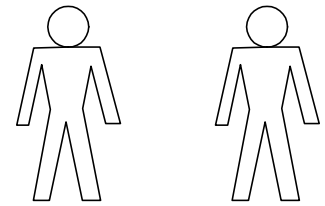
16 middle step ladder x1
402x135x19 mm



17 lower step ladder x1
402x160x19 mm

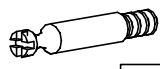
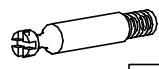
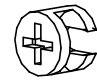
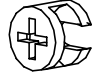
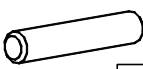


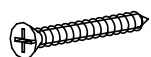


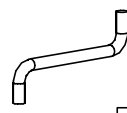



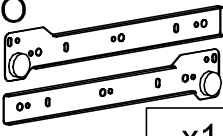






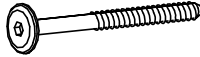


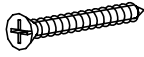



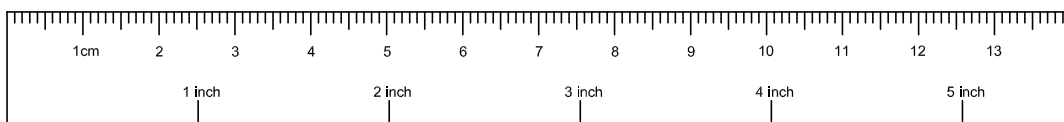
Tools that are needed



Components - Fittings

Please check that you have the fittings listed below

| | | | | | |
|--|--|--|---|--|--|
| A  Ø7x36 x10 | B  Ø7x36(M6) x4 | C  Ø15x14 x14 | D  Ø15x12 x4 | E  Ø8x30 x34 | F  Ø10x50 x31 |
| G  Ø7x50 x16 | H  Ø4x40 x5 | I  Ø7x60 x4 | J  Ø3x15 x6 | K  "4" x1 | L  Ø3,5x16 x3 |
| M  Ø18 x16 | N  Ø12 x4 | O  x1 | P  x1 | Q  Ø3,5x15 x6 | R  Ø12/10 x4 |
| S  x1 | T  Ø12 x4 | U  x1 | V  M6x75 x4 | W  Ø10x13 x4 | X  x4 |
| Y  Ø3,5x30 x30 | Z  Ø35 x4 | | | | |



Rulers- Use this ruler to help correctly identify the screws

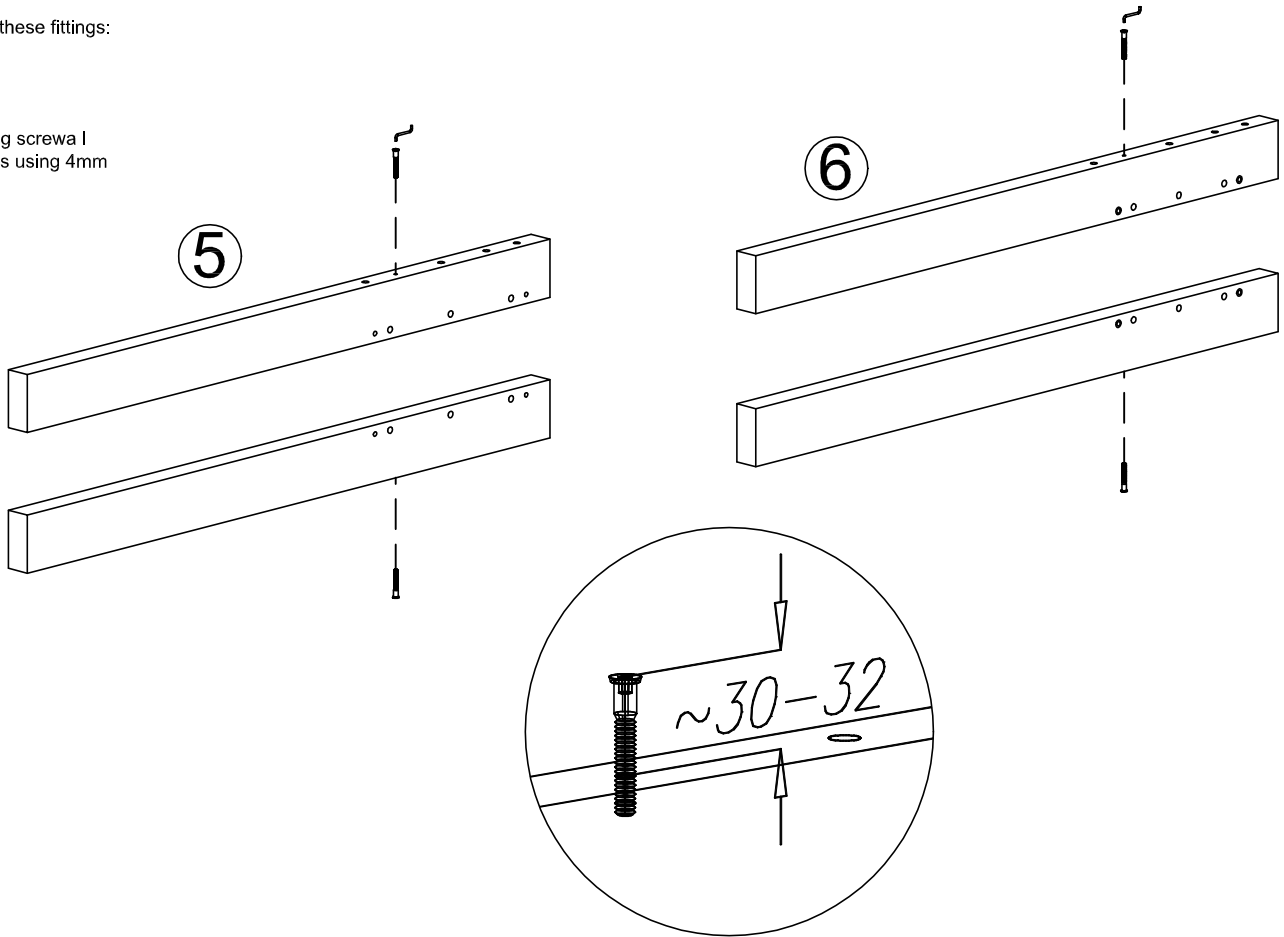
Step 1

In this step use these fittings:

I x4

K x1

Insert connecting screw I
into holes of legs using 4mm
Allen key



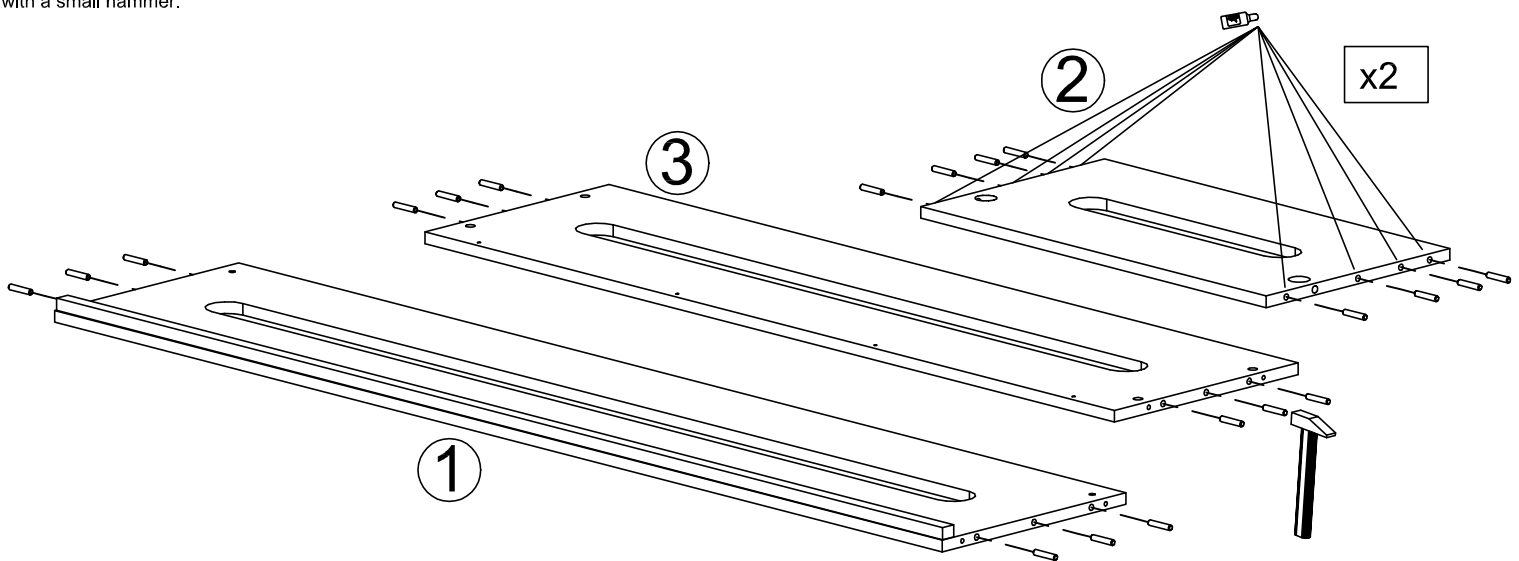
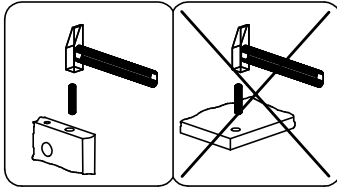
Step 2

In this step use these fittings:

F x28

S x1

Insert dowels F in front 3
and back 1, side panels 2
place a little glue S in each
hole for dowels panels.
Insert dowels F i Tap gently
with a small hammer.



Step 3

In this step use these fittings:

X x2

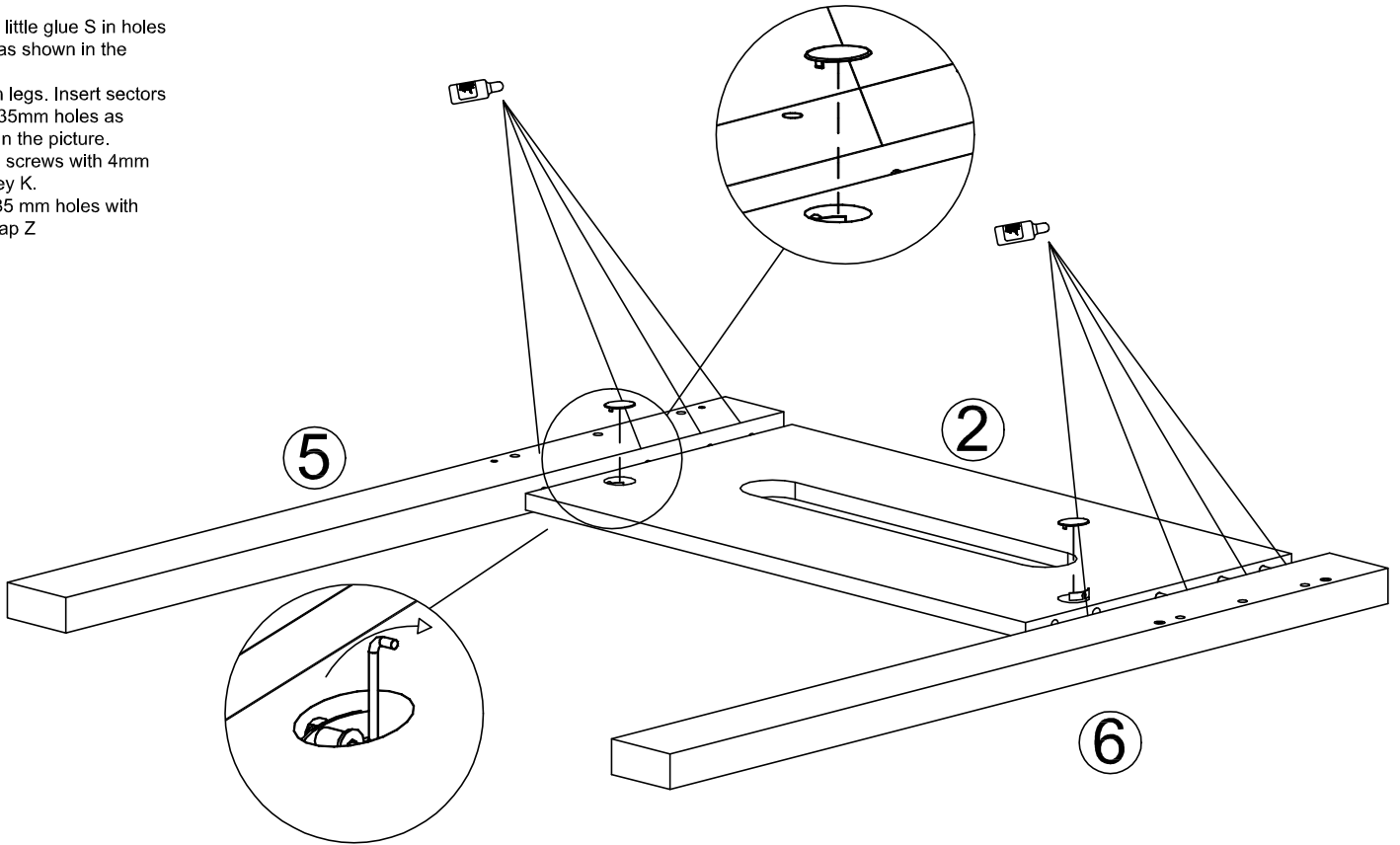
Z x2

Plase a little glue S in holes in legs as shown in the picture.

Position legs. Insert sectors X into 35mm holes as shown in the picture.

Tighten screws with 4mm Allen key K.

Cover 35 mm holes with cover cap Z



Step 4

In this step use these fittings:

X x2

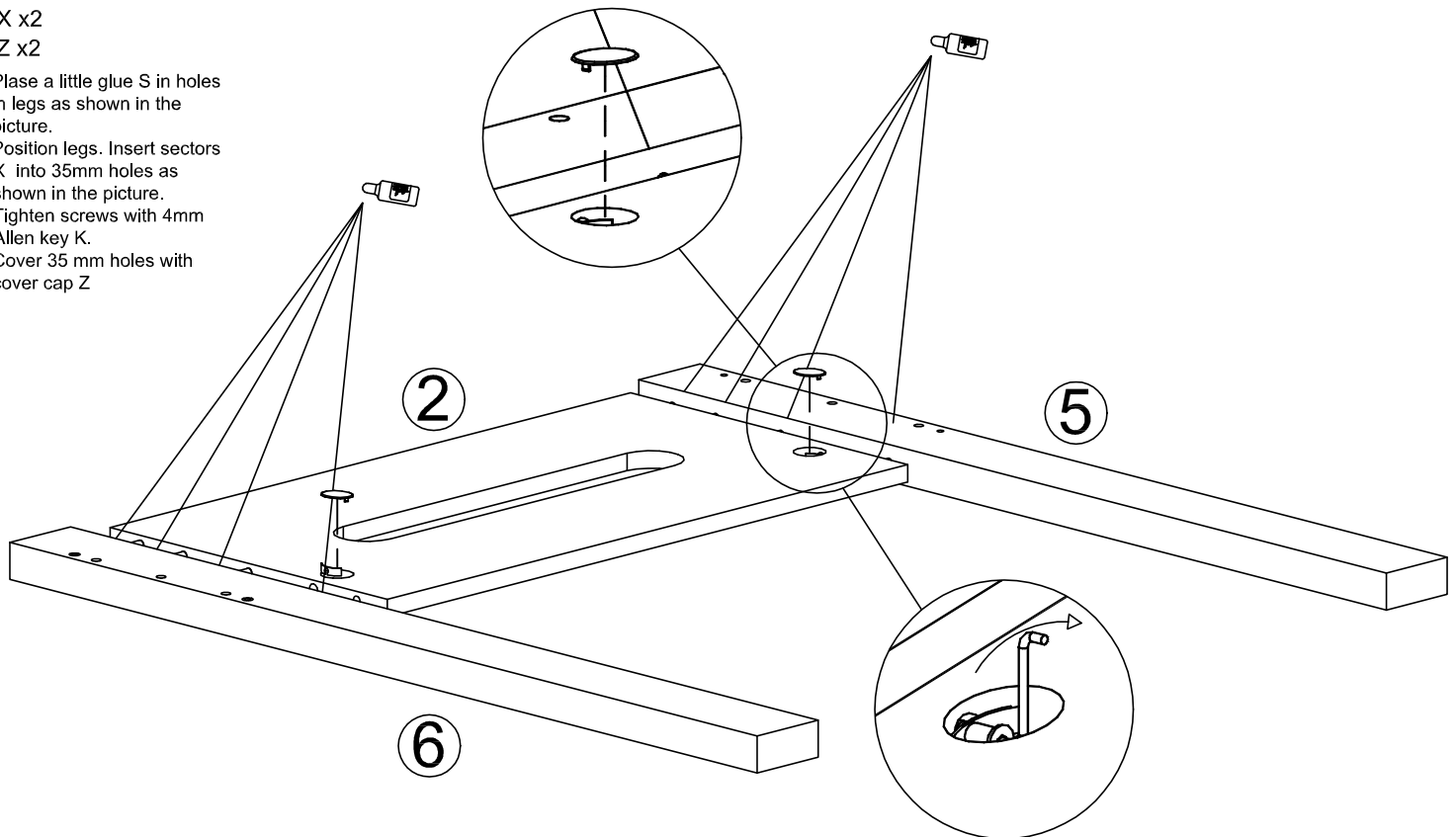
Z x2

Plase a little glue S in holes in legs as shown in the picture.

Position legs. Insert sectors X into 35mm holes as shown in the picture.

Tighten screws with 4mm Allen key K.

Cover 35 mm holes with cover cap Z

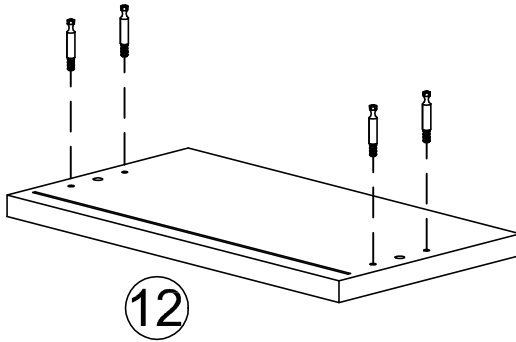
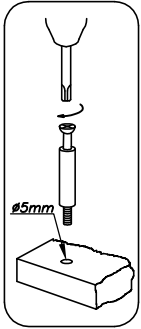
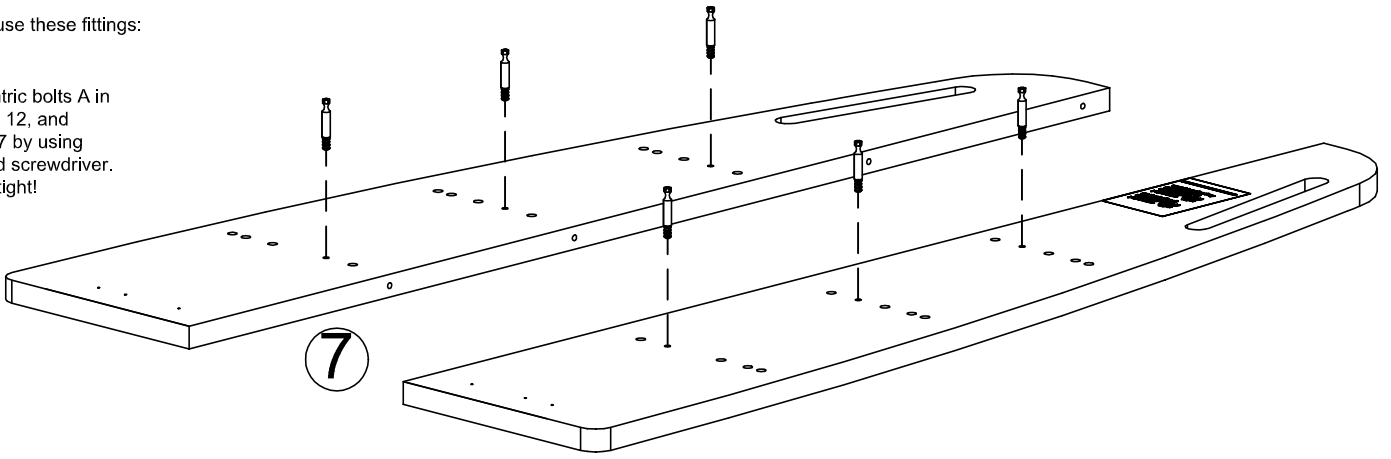


Step 5

In this step use these fittings:

A x10

Place eccentric bolts A in drawer front 12, and ladder side 7 by using Phillips head screwdriver. Do not overtight!

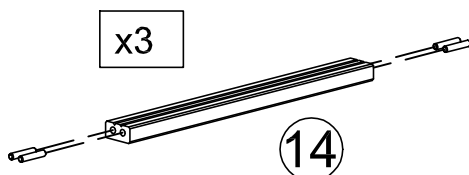
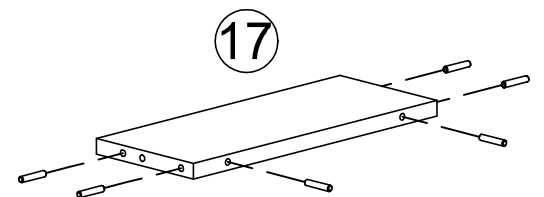
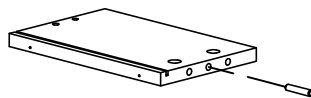
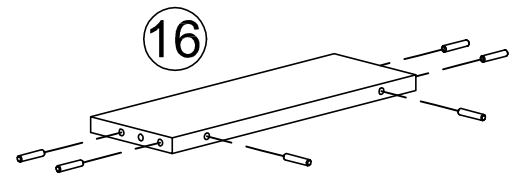
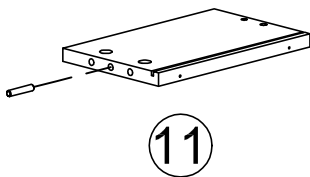
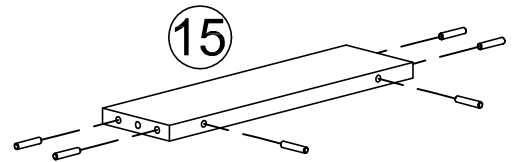
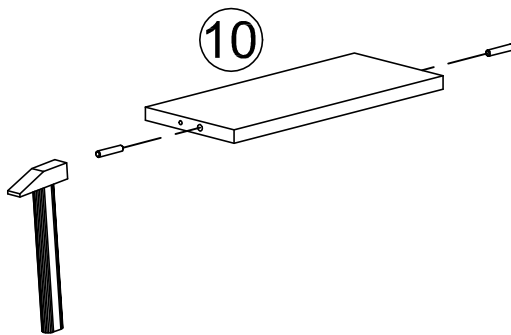


Step 6

In this step use these fittings:

E x34

Insert dowels E in sides 11 and back 10 drawer, front step ladder 14 and step ladder 15,16,17. Tap gently with a small hammer



Step 7

In this step use these fittings:

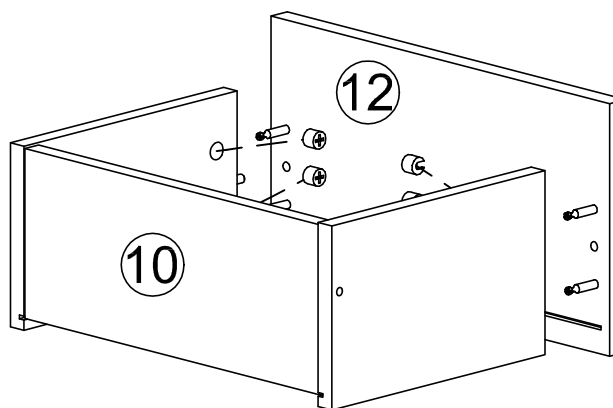
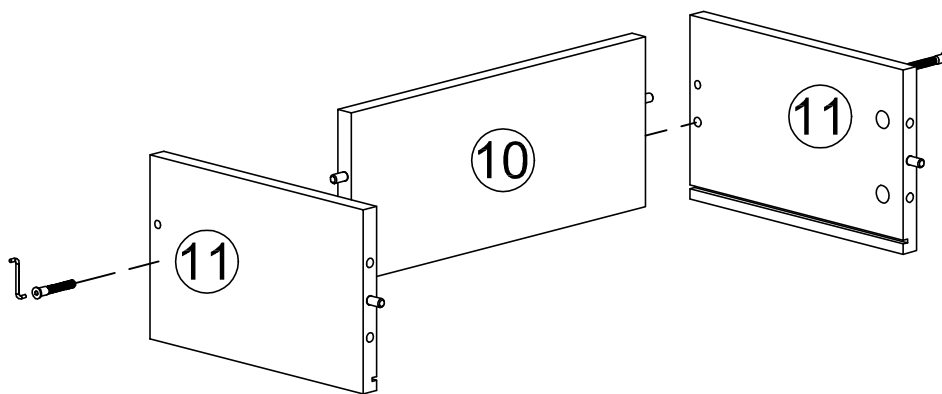
G x2

Push side drawer 11 and back drawer 10. Screw side drawer into place with screws F using fittings K.

D x4

M x4

Assemble Drawer front 12
Push drawer sides 11
insert locking nuts D.
Lock using Phillips head
screwdriver. Cover the nuts
D using the cover cap M.



Step 8

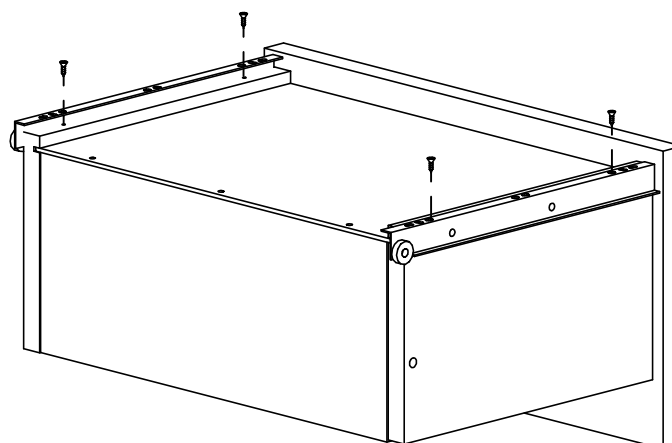
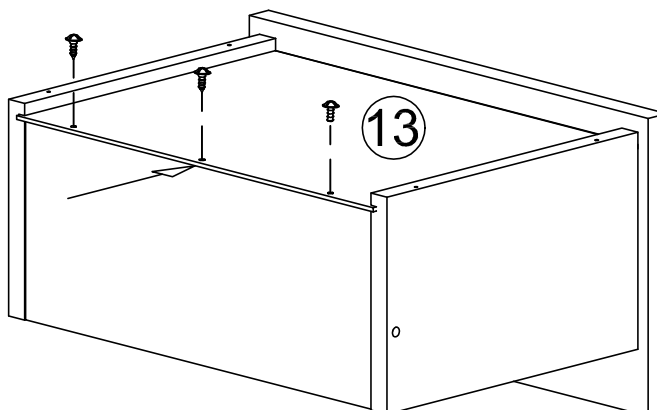
In this step use these fittings:

L x3

J x4

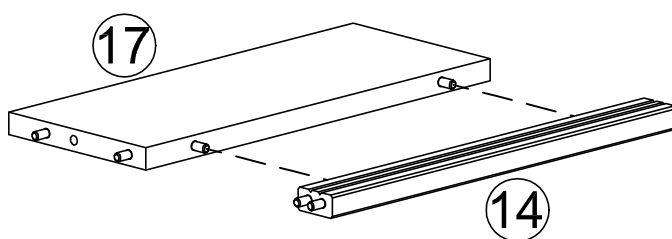
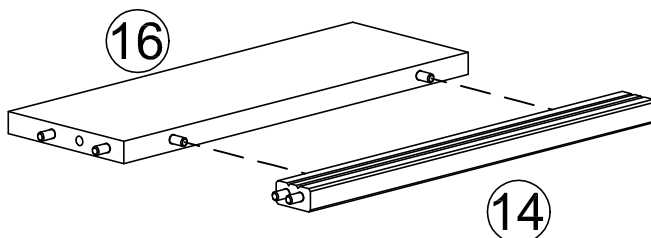
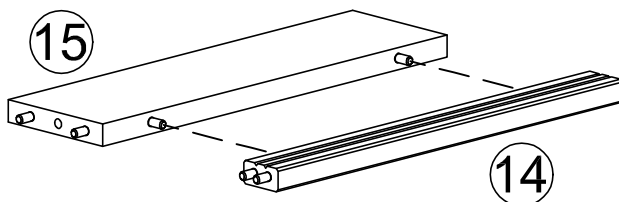
P x1

Fasten drawer bottom by
fixing in with fittings L, using
Phillips head screwdriver.
Assemble drawer runners P
with screws J using Phillips
head screwdriver.



Step 9

Assemble front slat ladder
14 with step ladder
15,16,17.



Step 10

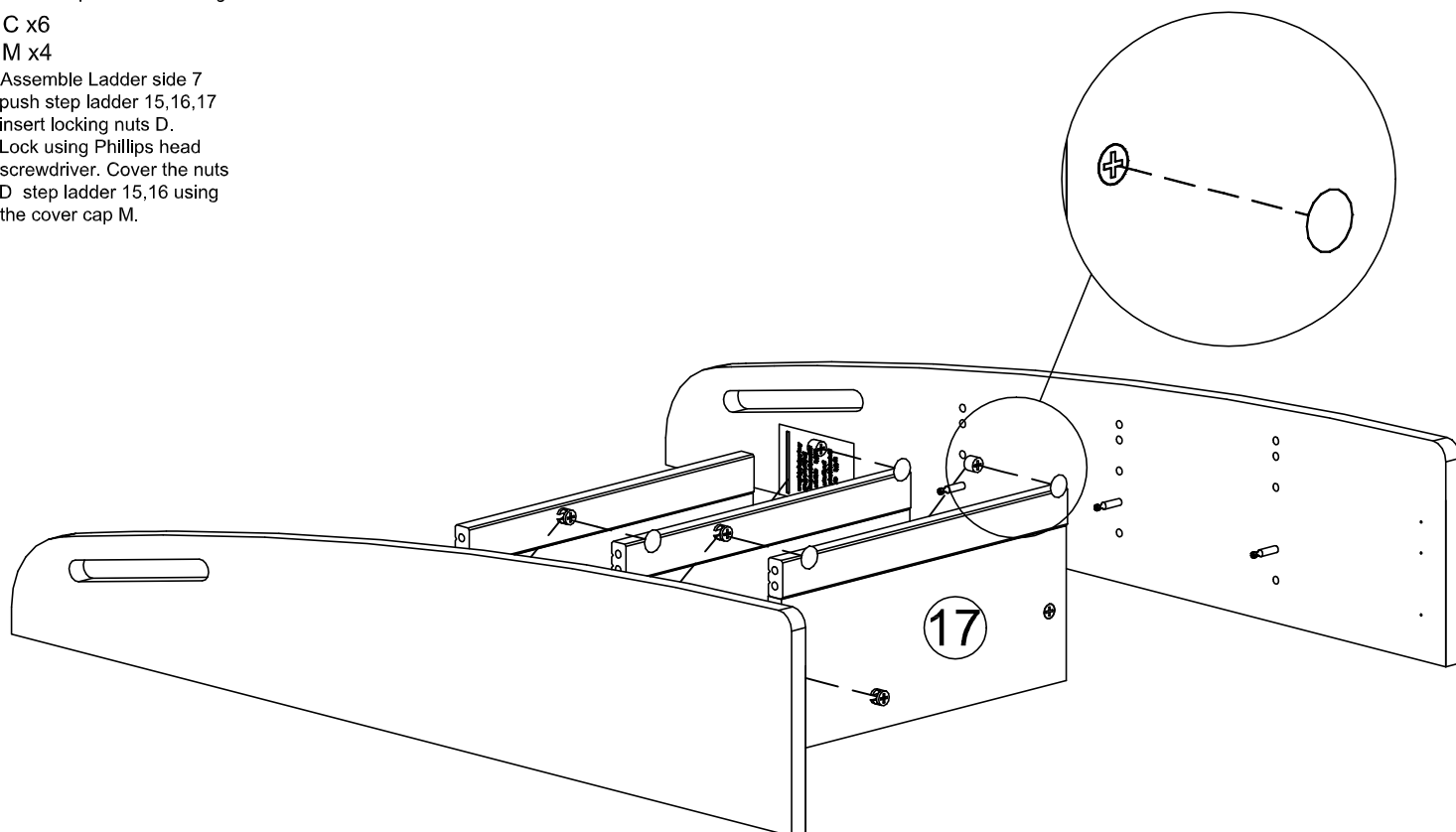
In this step use these fittings:

C x6

M x4

Assemble Ladder side 7
push step ladder 15,16,17
insert locking nuts D.

Lock using Phillips head
screwdriver. Cover the nuts
D step ladder 15,16 using
the cover cap M.



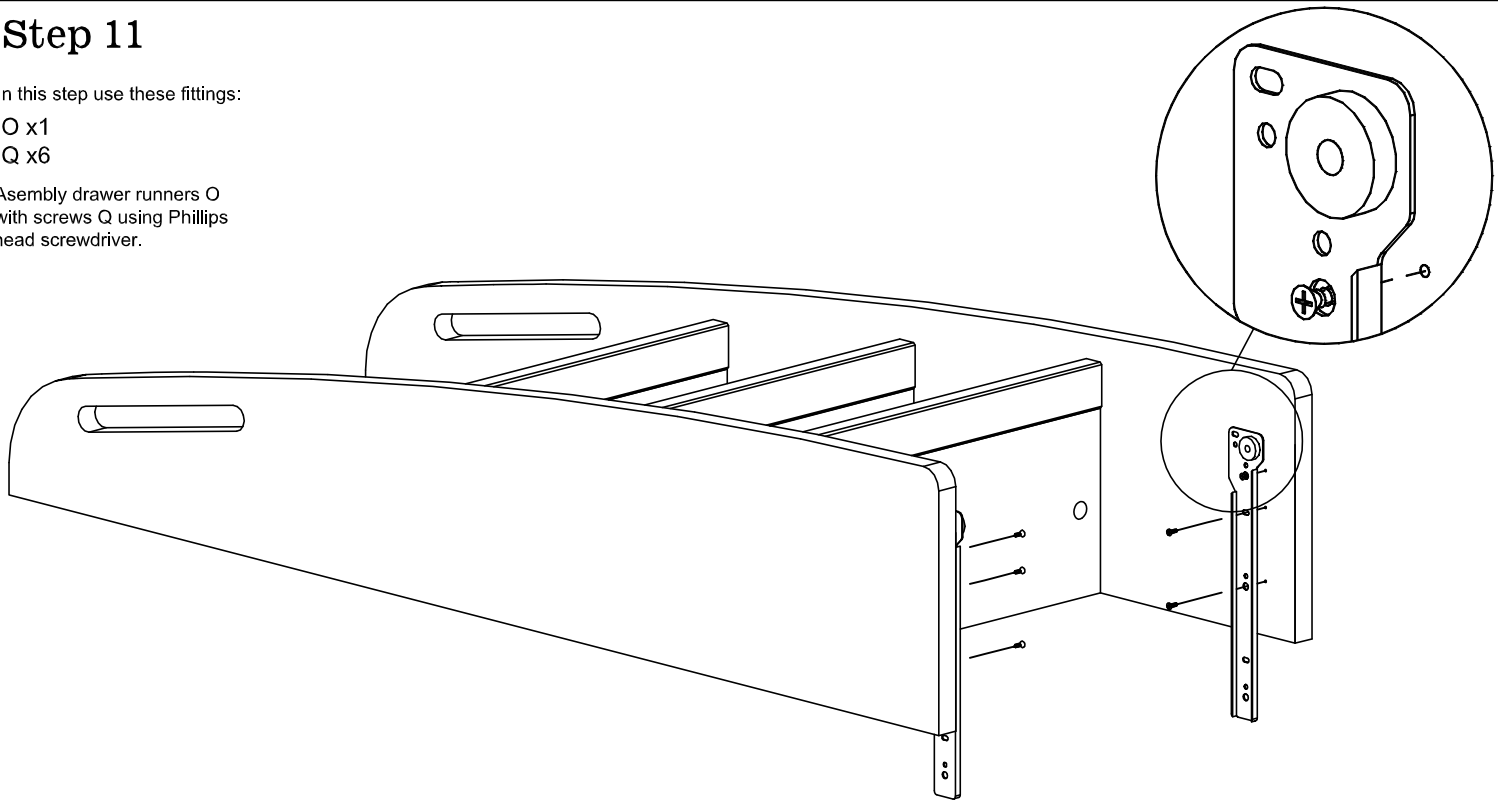
Step 11

In this step use these fittings:

O x1

Q x6

Assembly drawer runners O
with screws Q using Phillips
head screwdriver.



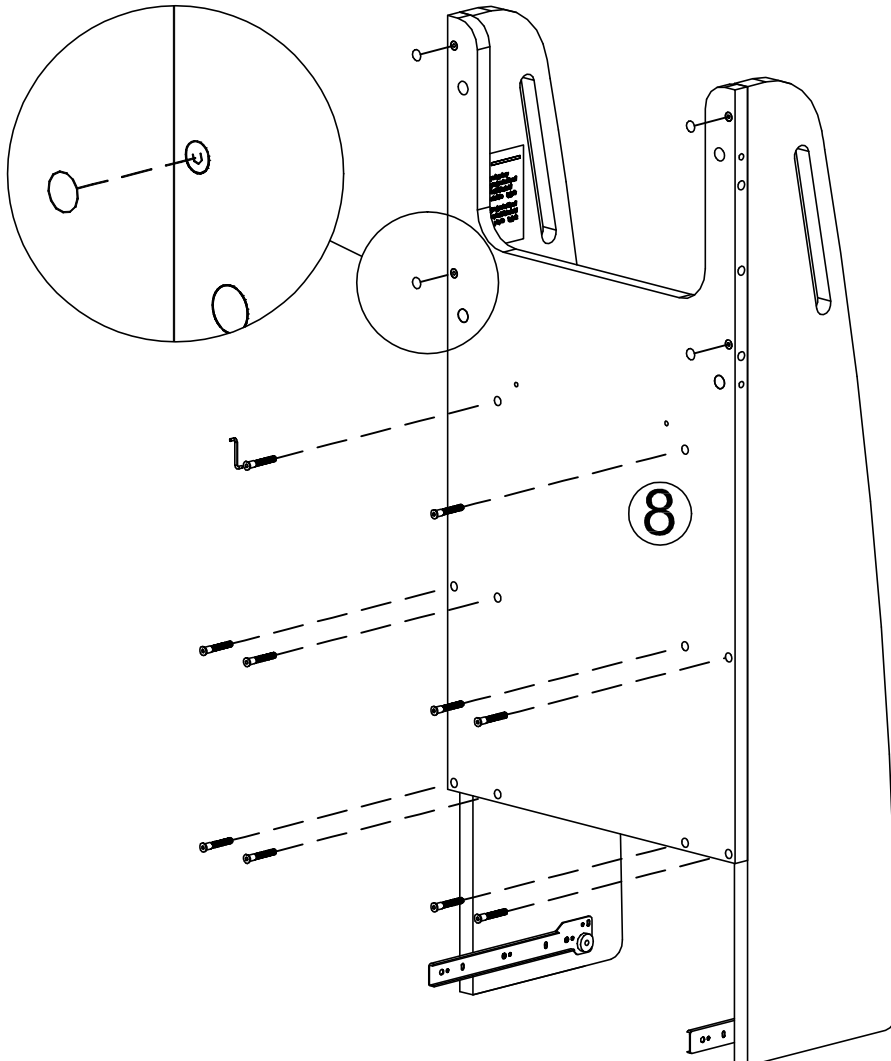
Step 12

In this step use these fittings:

G x14

T x4

Assembly back panel ladder 8
using connecting screws G
and Allen key K.
The upper four connecting
screws G cover cap T.



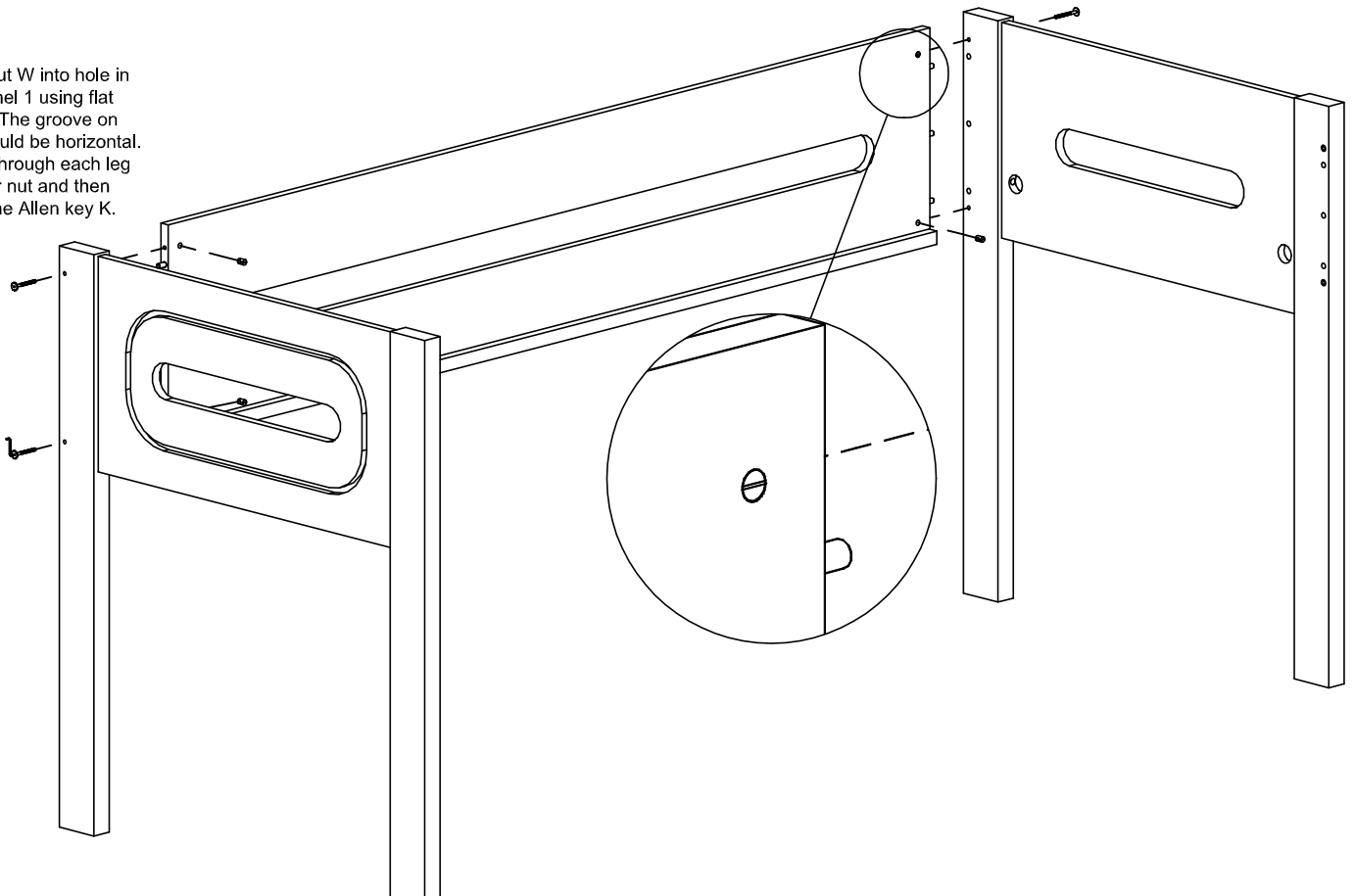
Step 13

In this step use these fittings:

V x4

W x4

Push roller nut W into hole in bed back panel 1 using flat screwdriver. The groove on roller nut should be horizontal. Push bolt V through each leg to meet roller nut and then fasten with the Allen key K.



Step 14

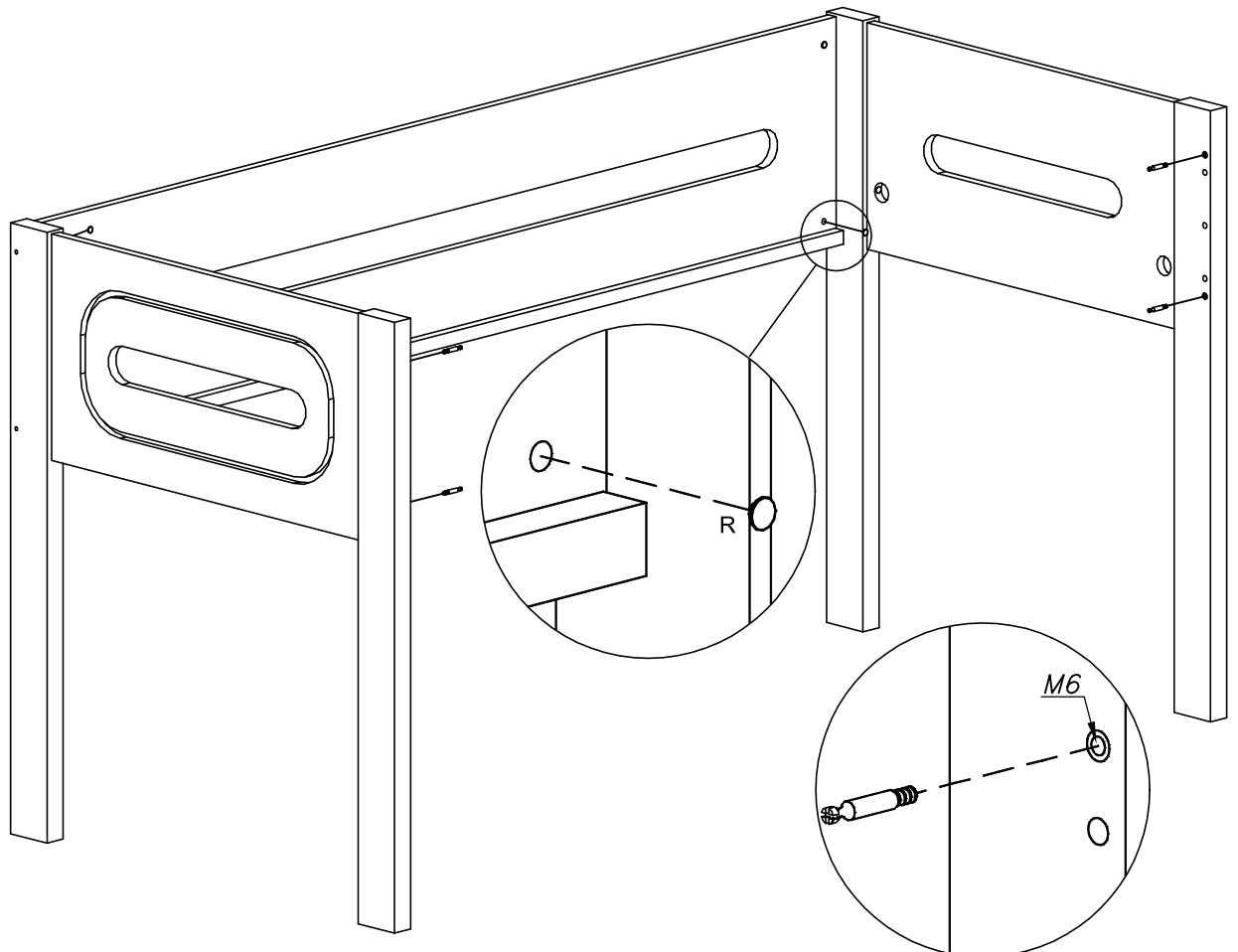
In this step use these fittings:

B x4

R x4

Place eccentric bolts B in muff M6 in front leg 6 by using Phillips head screwdriver. Do not overtight!

Push hole 10mm in bed back panel 1 cover cap R.



Step 15L

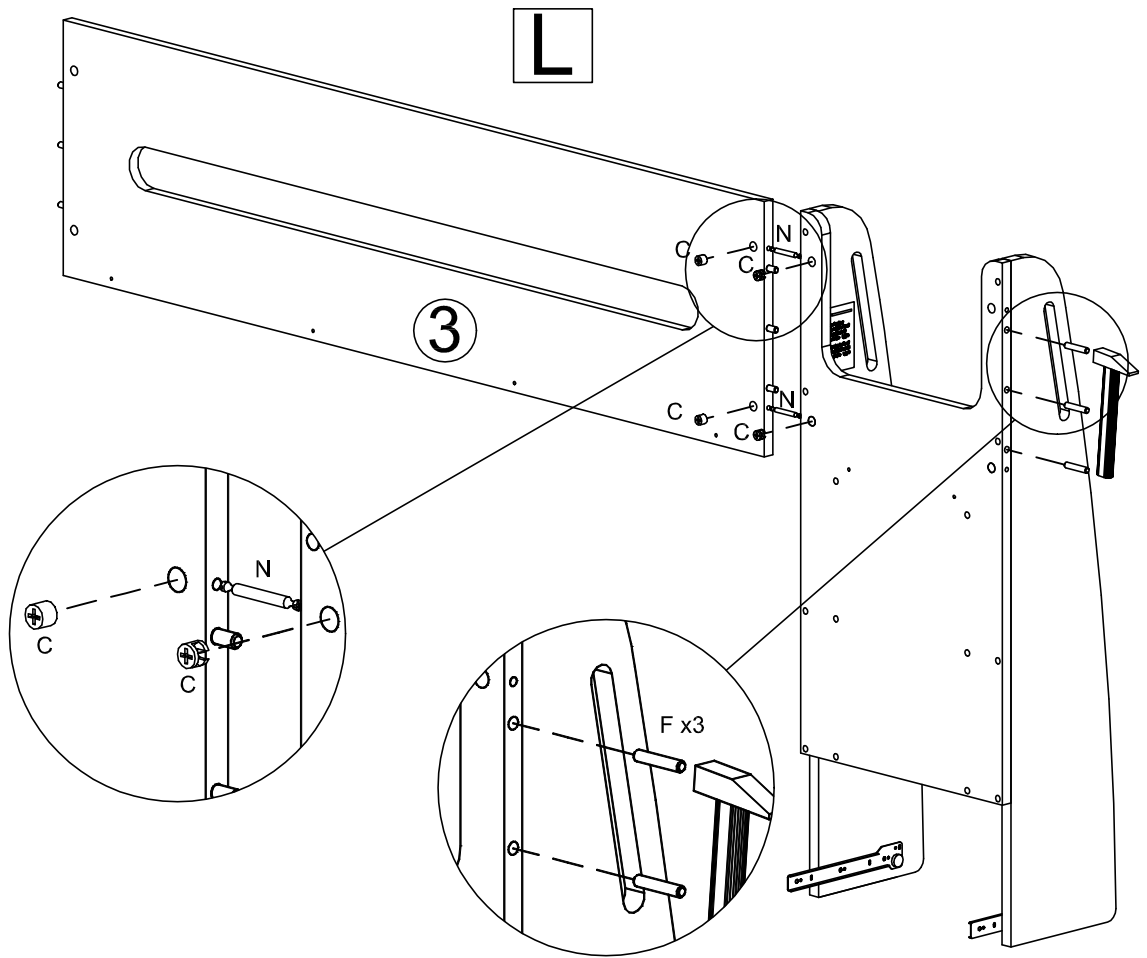
In this step use these fittings:

C x4

F x3

N x2

On the left side of the ladder.
Place eccentric bolts N bed
front panel 3 and ladder. Push
ladder and front panel
together and insert locking nut
C. Lock using Phillips head
screwdriver. Insert dowels F in
ladder. Tap gently with a
small hammer.



Step 15R

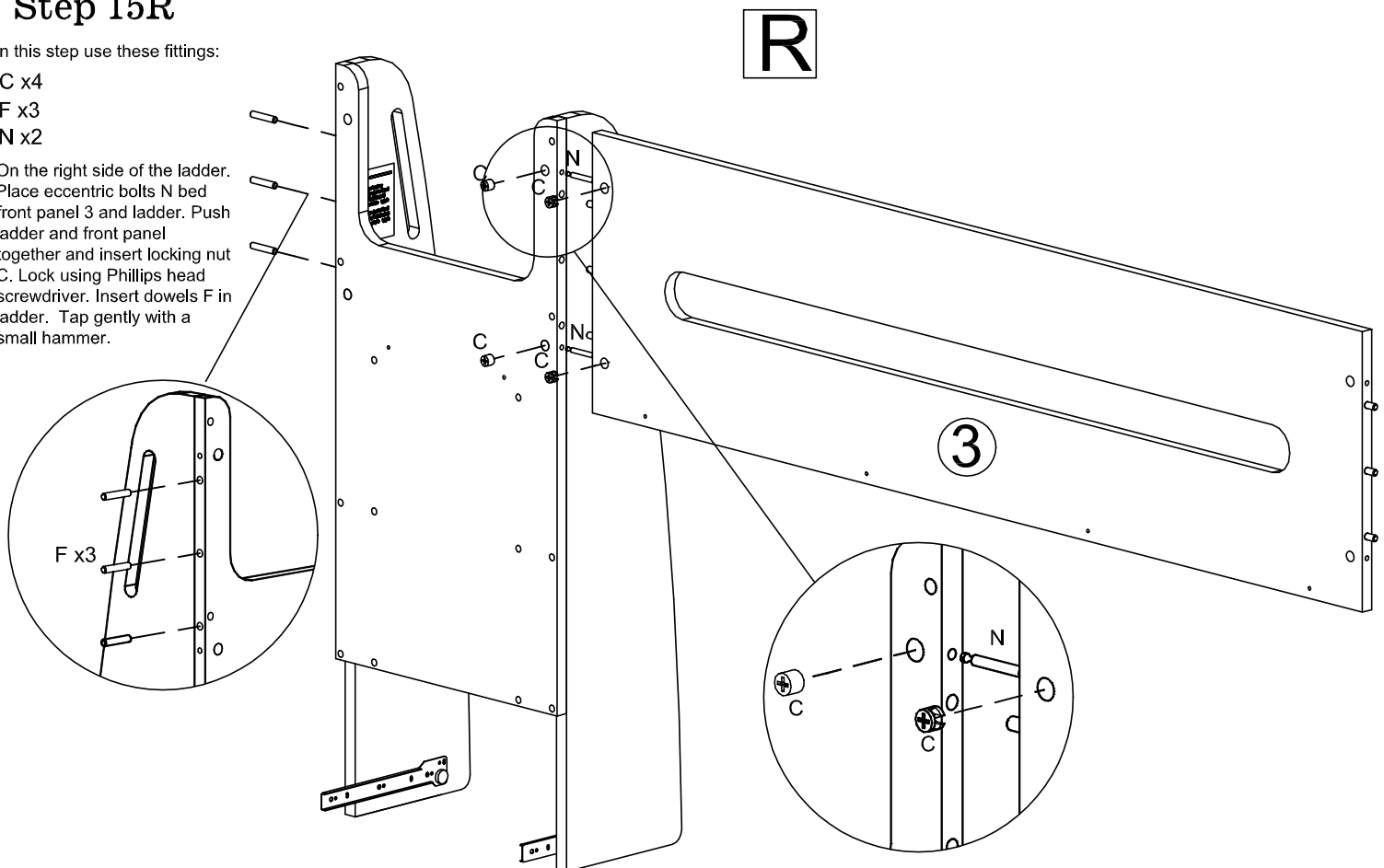
In this step use these fittings:

C x4

F x3

N x2

On the right side of the ladder.
Place eccentric bolts N bed
front panel 3 and ladder. Push
ladder and front panel
together and insert locking nut
C. Lock using Phillips head
screwdriver. Insert dowels F in
ladder. Tap gently with a
small hammer.



Step 16

In this step use these fittings:

C x4

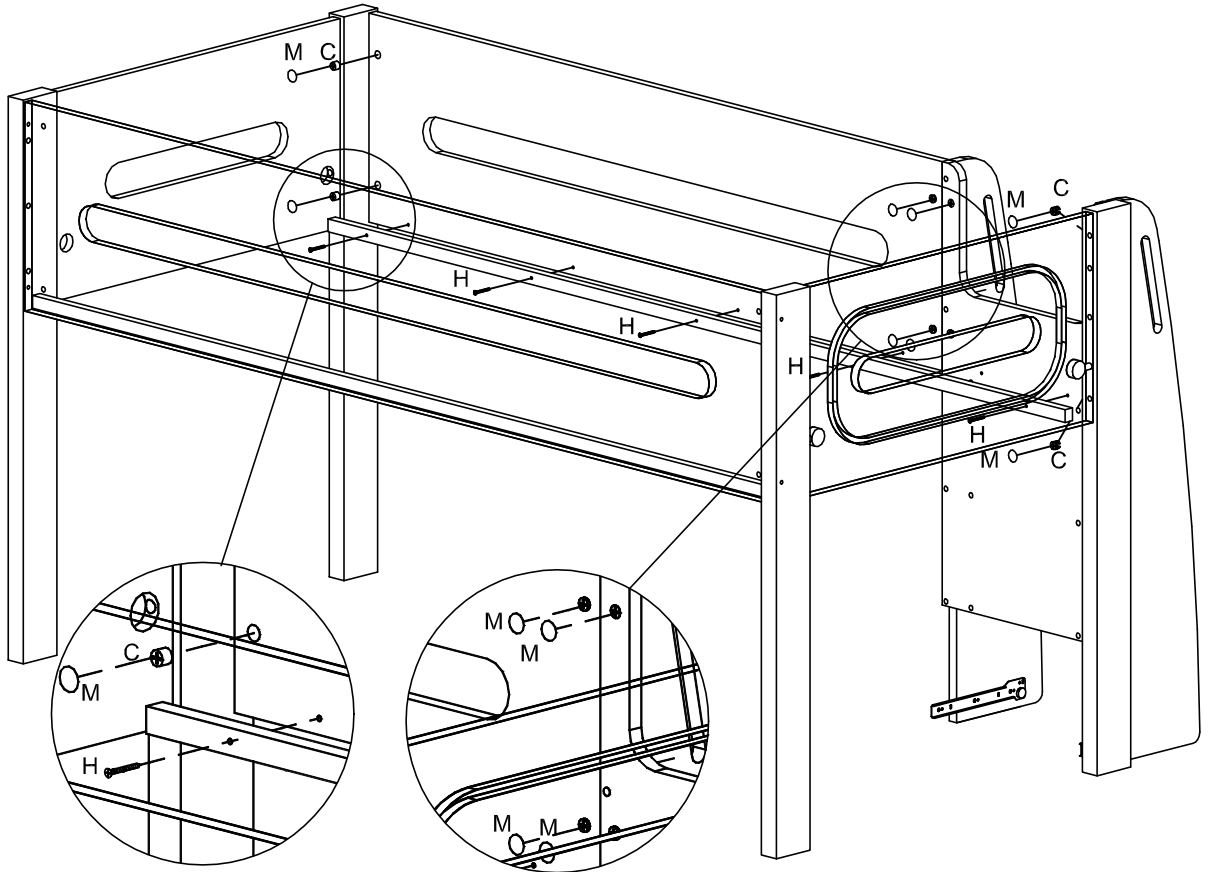
H x5

M x8

Assemble front panel 3 and ladder with bed. Push ladder and front panel together and insert locking nut C. Lock using Phillips head screwdriver.

Cover M cap nut C.

Assemble rail for slats 4 with screw H using Phillips head screwdriver.



Step 17

In this step use these fittings:

J x2

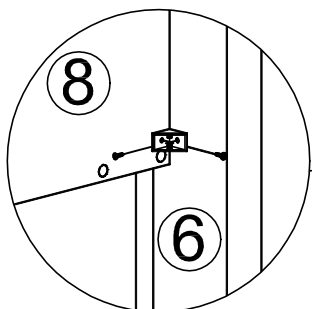
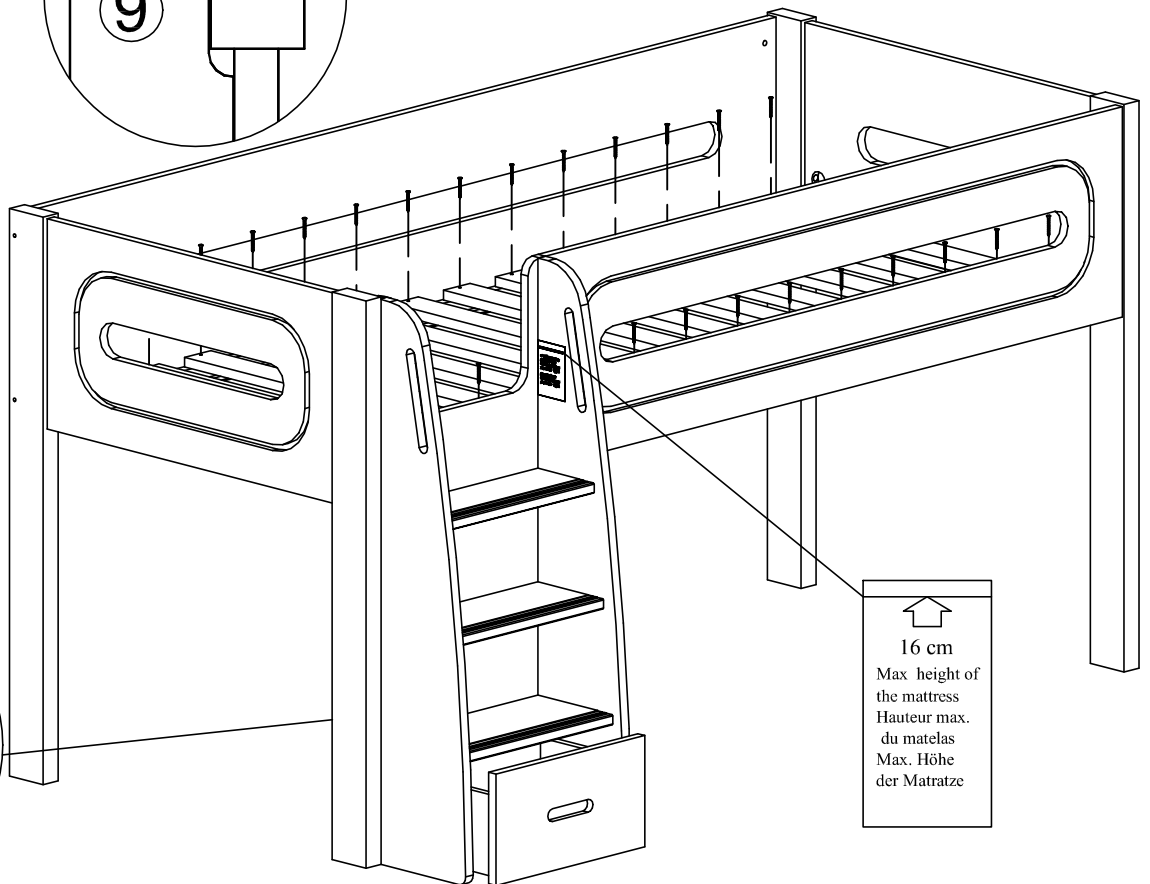
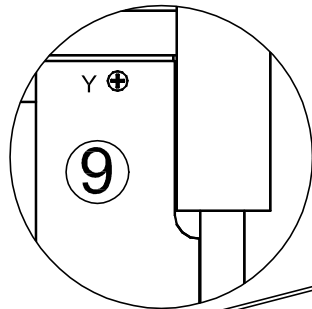
U x1

Y x30

Position slats equally. End slats must be in contact with legs (picture). Place two screws Y in each slat and tighten using Phillips head screwdriver. Assemble the other rail slat.

Connect back panel ladder 8 to the front leg 6 with angle bracket U and screws J.

Put drawers to their place.



↑
16 cm
Max height of
the mattress
Hauteur max.
du matelas
Max. Höhe
der Matratze

Assembly Instructions

Customer Notice

Dear Customer,

Congratulations on the recent purchase of your furniture!

Customer Service:

For missing or spare parts requests please contact us Monday to Friday – 10am to 3pm in one of the following ways:

Phone: 0844 8008475

Email: Spares@stompa.com

Please inform: product, colour, where did you buy it, part no, quantity and reason for request. We need your full name, address and telephone number.

Fax: Please complete the enclosed Service Form and fax to 0560 1132071

By post: Please complete the enclosed Service Form and post to:

Nordika Design Ltd.
High Rigg
Panorama Drive
Ilkley, LS29 9RA

We will do our utmost to supply spare parts within 7-10 working days of receipt of request.

Our quality control team has ensured a high quality product that we are sure you will be pleased with. Any components produced from solid wood will contain knots and may have surface defects which are a feature of a natural product.

Customer Service Form

Please return complete to

Fax: 0560 1132071

Name: _____

Address: _____

Contact No: _____

Date of purchase: _____

Place of purchase: _____

Product Name: _____

See assembly instructions:

Problem: _____

Parts Needed: Part No. Quantity Description

Please quote assembly

e.g drawer base

instruction or number
