

Dimensions

Width - 152,7cm

Depth - 72,0cm

Height - 68,1cm

Important- Please read these instructions fully before starting assembly

If you need help or have damaged or missing parts, call the **Customers Helpline:** 0844 8008475



Instructions for use

IMPORTANT, READ CAREFULLY- RETAIN FOR FUTURE REFERENCE

WARNING: This product is suitable for children above the age of 6 years old.

Before starting assembly:

*Do not use this item if any structural part is broken or missing.

*Check you have all the components and tools listed.

*Remove all fittings from the plastic bags and separate them into their groups.

*Keep children and animals from the work area, small parts could choke if swallowed.

*Make sure you have enough space to lay out the parts before starting.

*Assemble the items as close to its final position (in the same room) as possible.

*Assemble on the soft level surface to avoid damaging the unit or your floor.

*This furniture meets the european standard certification BS 4875-7:2006, FRQG C001:2008 & FRQG C004:2008



We do not recommend the use of power drills/drivers for inserting screws, as this could damage the unit. Only use hand screwdrivers.

*Dispose of all packaging carefully and responsibly.

*Assembly should be carried out by competent adult only.

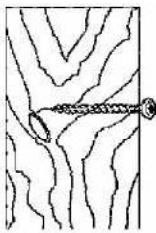
Care and maintenance:

* Only clean using a damp cloth and mild detergent, do not use bleach or abrasive cleaners.

*Regularly check all fastenings to ensure that they properly tightened.

*Our furniture will endure most temperatures in the home but it is best to avoid placing furniture next to the heat sources such as radiators or fires. Be particularly careful with solid wood as the lack of humidity caused by central heating can cause damage such as warping.

Wall Fixing (if required)



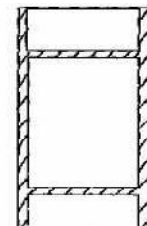
Wood

If fixing to wood make sure that it isn't chipboard as screws can easily pull away.



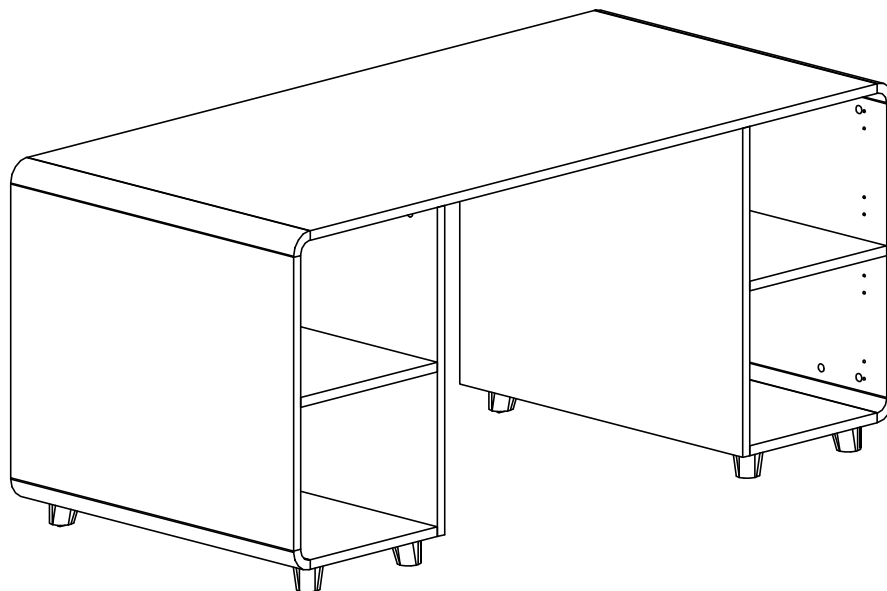
Brick or Masonary

Use an appropriate wall plug provided you are sure your wall is sound.



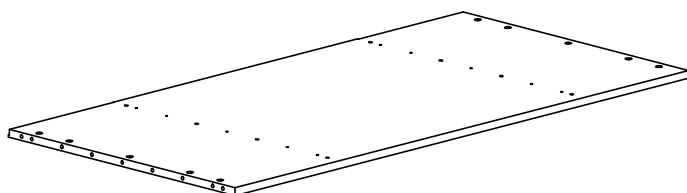
Cavity wall

Special toggle wall plugs are needed. Seek expert advice.

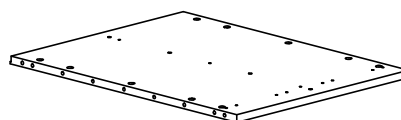


Components- Panels

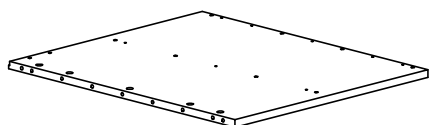
Please check that you have the panels listed below



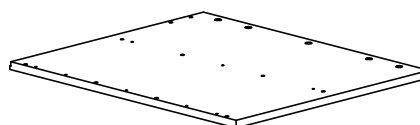
1 top x1
1443x720x18 mm



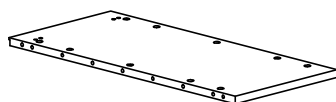
2 side x2
547x720x18 mm



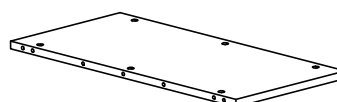
3 right middle side x1
613x720x18 mm



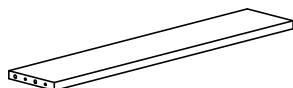
4 left middle side x1
613x720x18 mm



5 bottom x2
324x720x18 mm



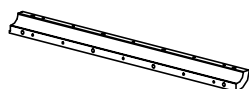
6 Fixed shelf x2
348x717x18 mm



7 back rail x1
759x145x18 mm



8 back panel x2
619x369x3 mm



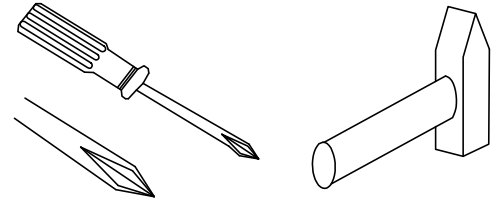
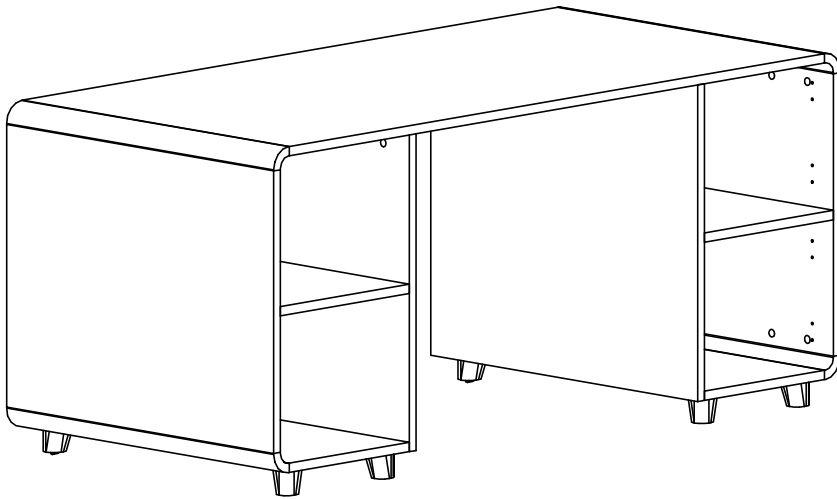
9 strip corner x4
720x42x42 mm



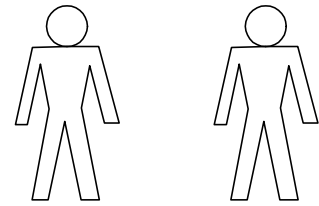
10 front leg x4
50x55x50 mm



11 back leg with roller x4
50x55x50 mm

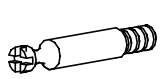
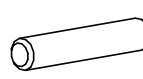
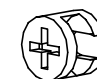

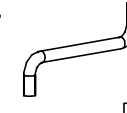
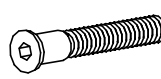

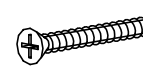
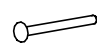



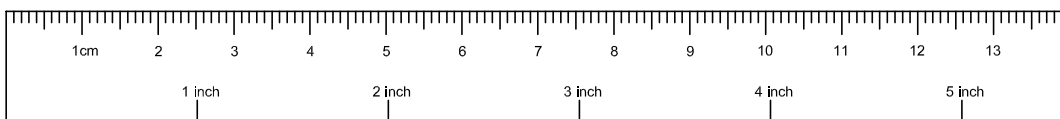
Tools that are needed



Components- Fittings

Please check that you have the fittings listed below

<p>A</p>  <p>Ø7x36 x72</p>	<p>B</p>  <p>Ø8x30 x72</p>	<p>C</p>  <p>Ø15x14 x72</p>	<p>D</p>  <p>Ø17 x52</p>	<p>E</p>  <p>"4" x1</p>	<p>F</p>  <p>Ø7x50 x8</p>
<p>G</p>  <p>Ø5x8 x16</p>	<p>H</p>  <p>Ø4x45 x8</p>	<p>I</p>  <p>Ø4x60 x60</p>	<p>J</p>  <p>Ø12 x8</p>		



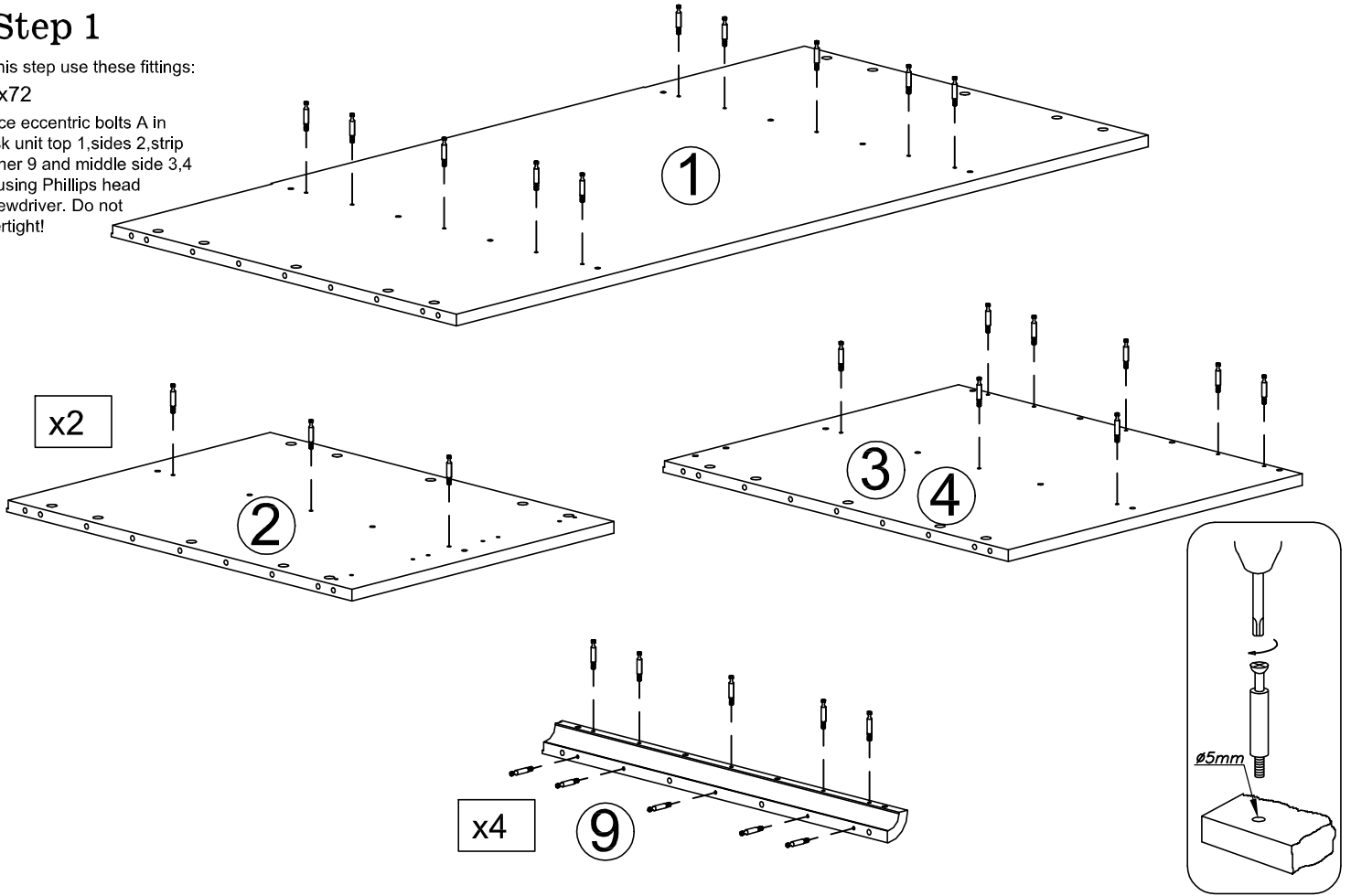
Rulers- Use this ruler to help correctly identify the screws

Step 1

In this step use these fittings:

A x72

Place eccentric bolts A in desk unit top 1, sides 2, strip corner 9 and middle side 3,4 by using Phillips head screwdriver. Do not overtight!

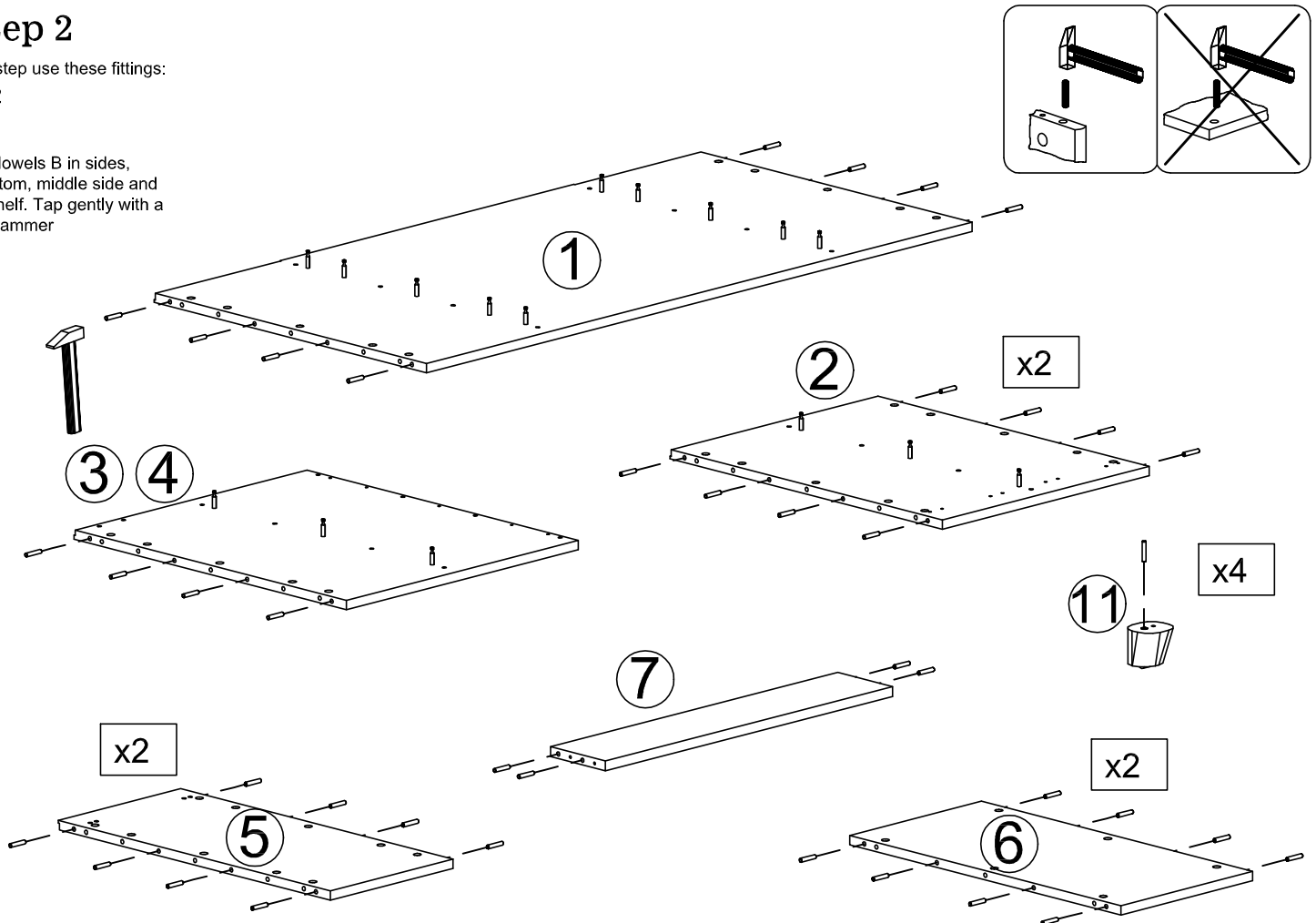


Step 2

In this step use these fittings:

B x72

Insert dowels B in sides, top, bottom, middle side and fixed shelf. Tap gently with a small hammer.

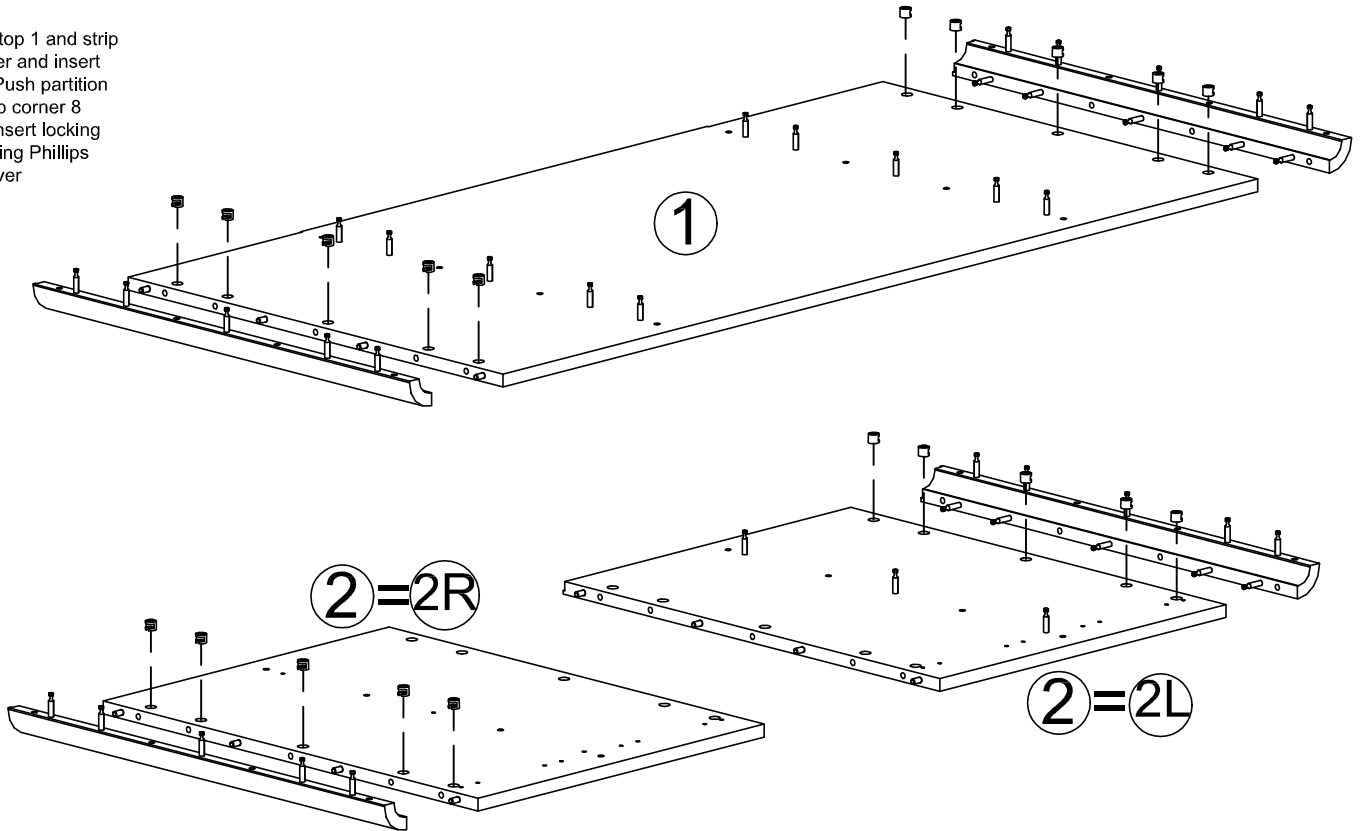


Step 3

In this step use these fittings:

C x20

Push partition top 1 and strip corner together and insert locking nut C. Push partition side 2 and strip corner 8 together and insert locking nut C. Lock using Phillips head screwdriver



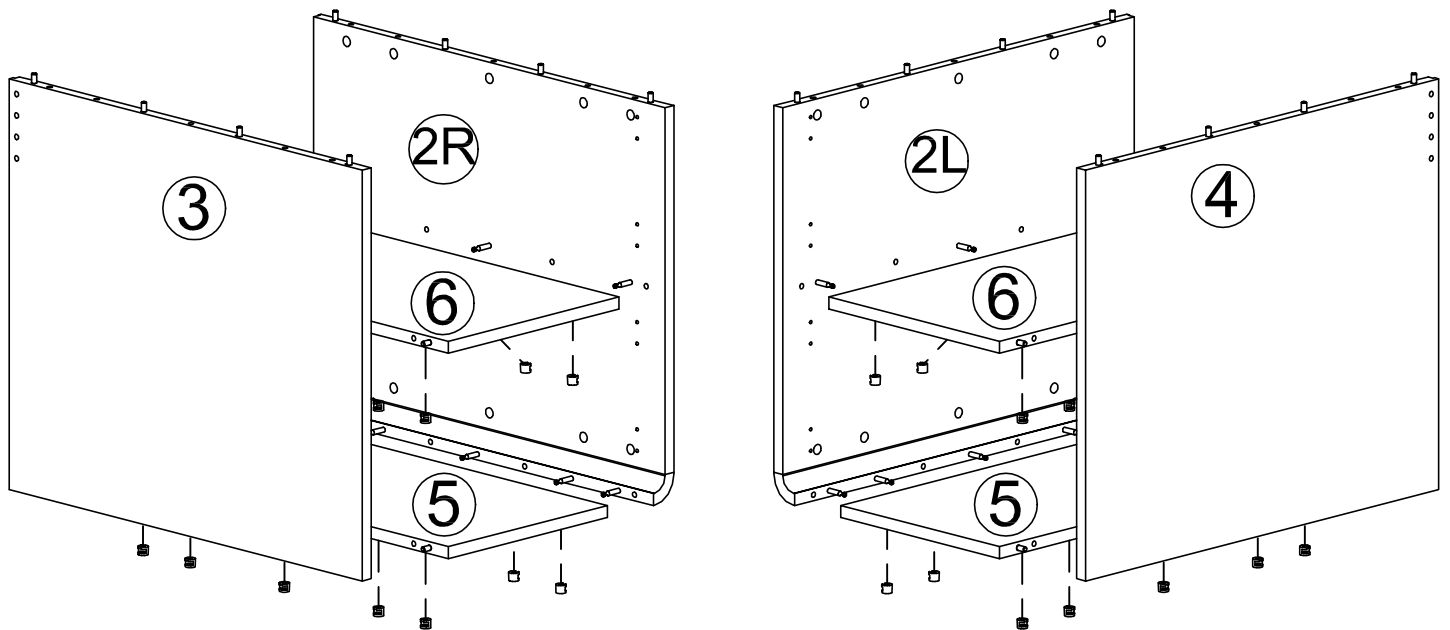
Step 4

In this step use these fittings:

C x32

Assemble fixed shelf and bottom Push side 2L, with middle side 4 together, insert locking nuts B.

Assemble fixed shelf and bottom Push side 2R, with middle side 3 together, insert locking nuts B.



Step 5

In this step use these fittings:

H x8

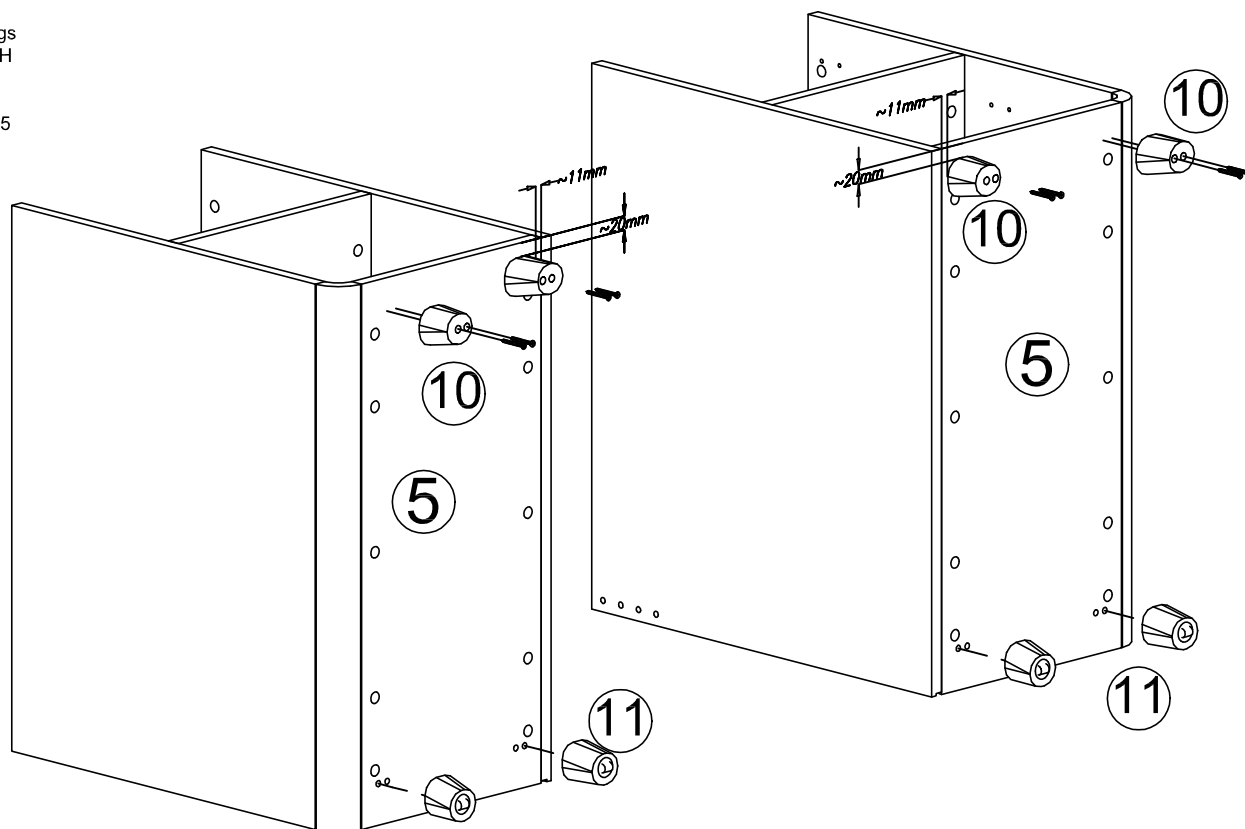
Assemble legs . Screw legs

10 into place with screws H

using Phillips head

screwdriver.

Push legs 11 with bottom 5



Step 6

In this step use these fittings:

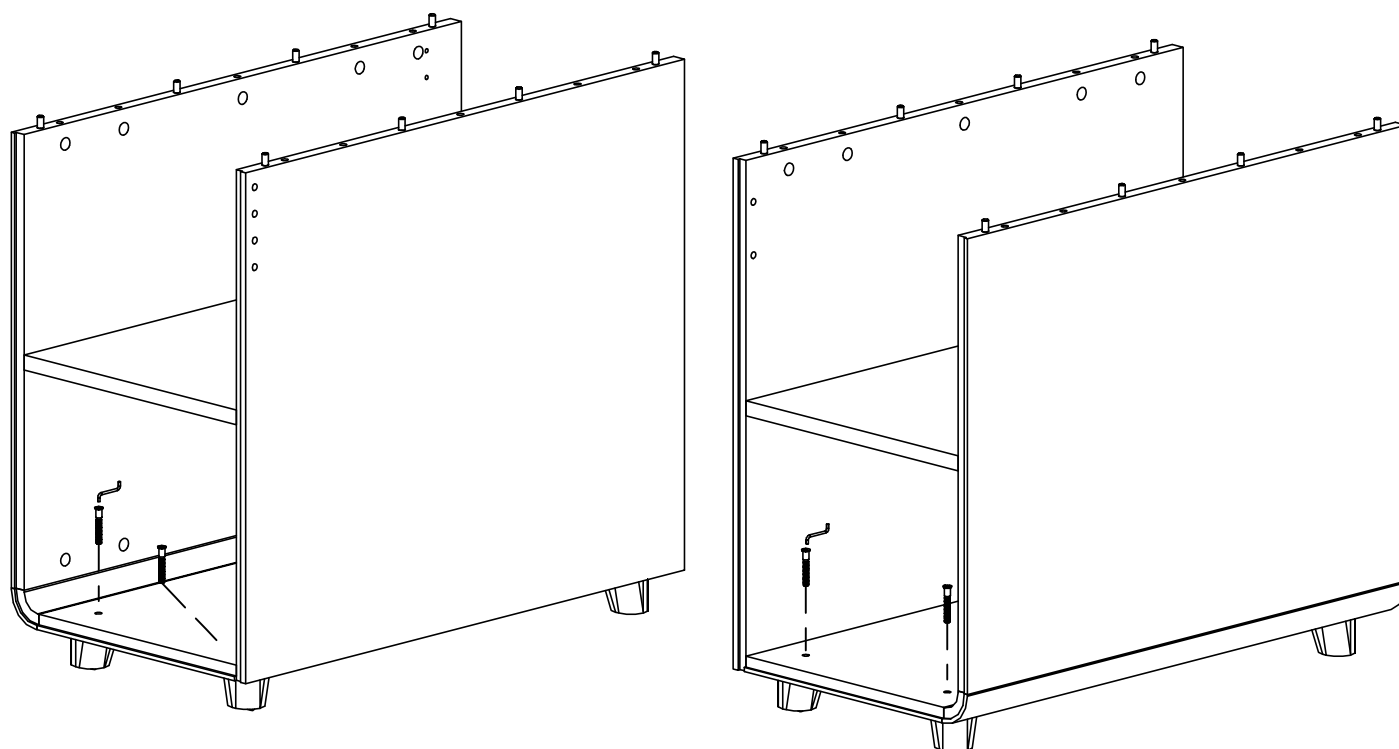
F x4

E x1

Screw on bottom 5 with back

leg 11 with the screw F using

the E



Step 7

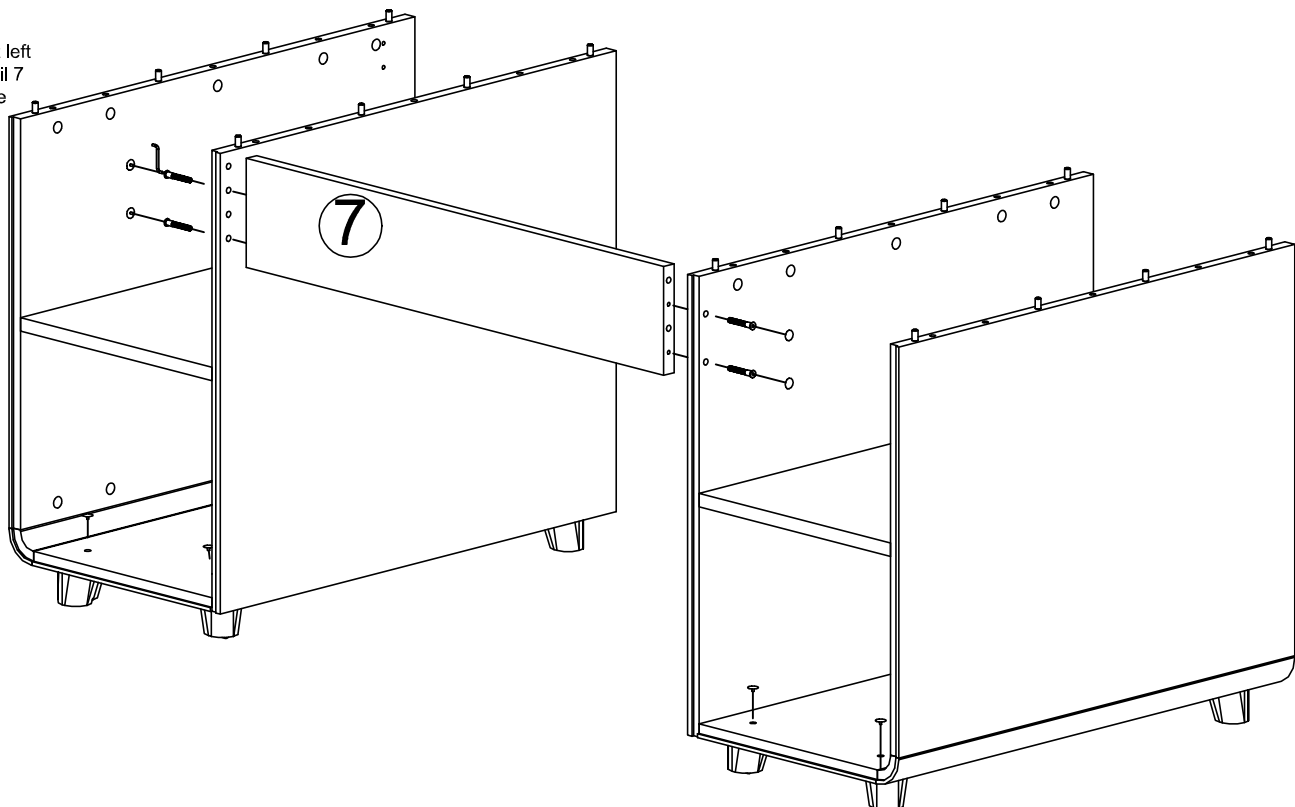
In this step use these fittings:

F x4

E x1

J x8

Assemble the cabine unit left and right with the back rail 7 using the screw F with the help of E. Then, push the screw F cap J

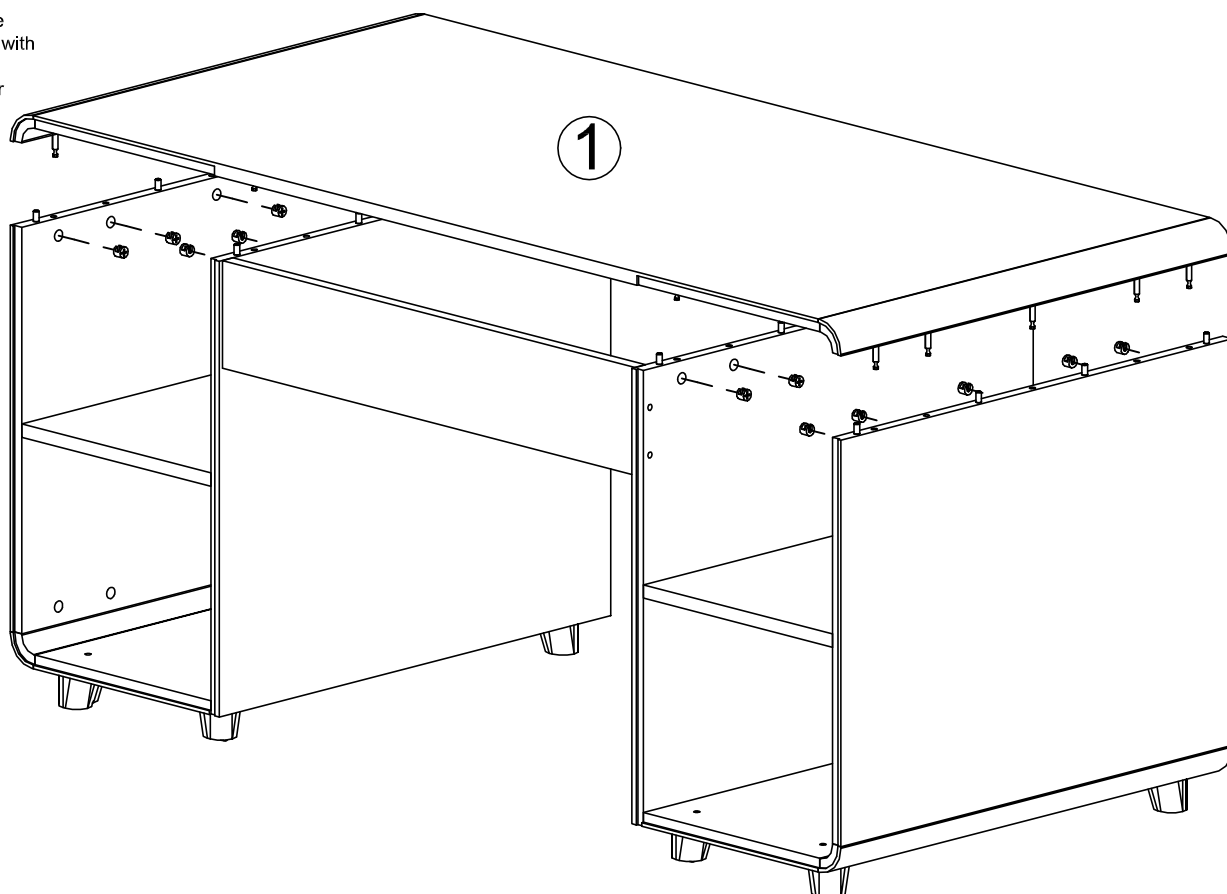


Step 8

In this step use these fittings:

C x20

Assemble top 1 push the cabine unit left and right with using nuts C. Lock using Phillips head screwdriver

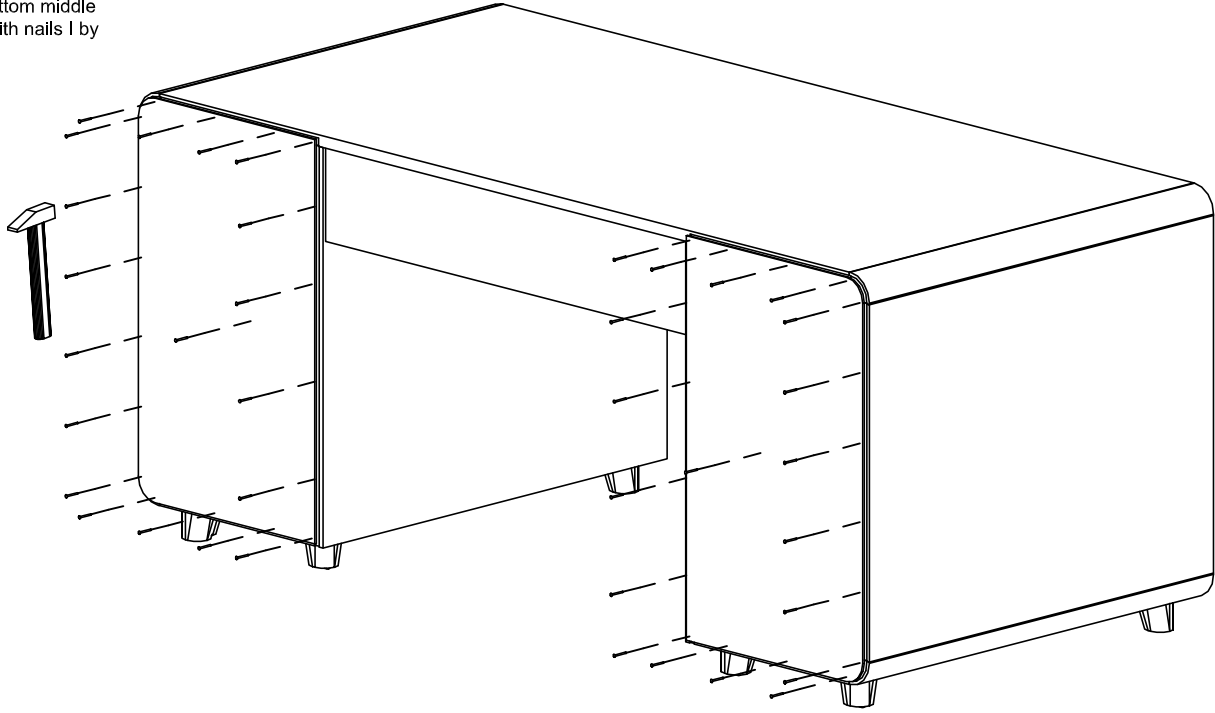


Step 9

In this step use these fittings:

I x60

Fasten back panel 8 to partition top, bottom middle side and side with nails I by using hammer



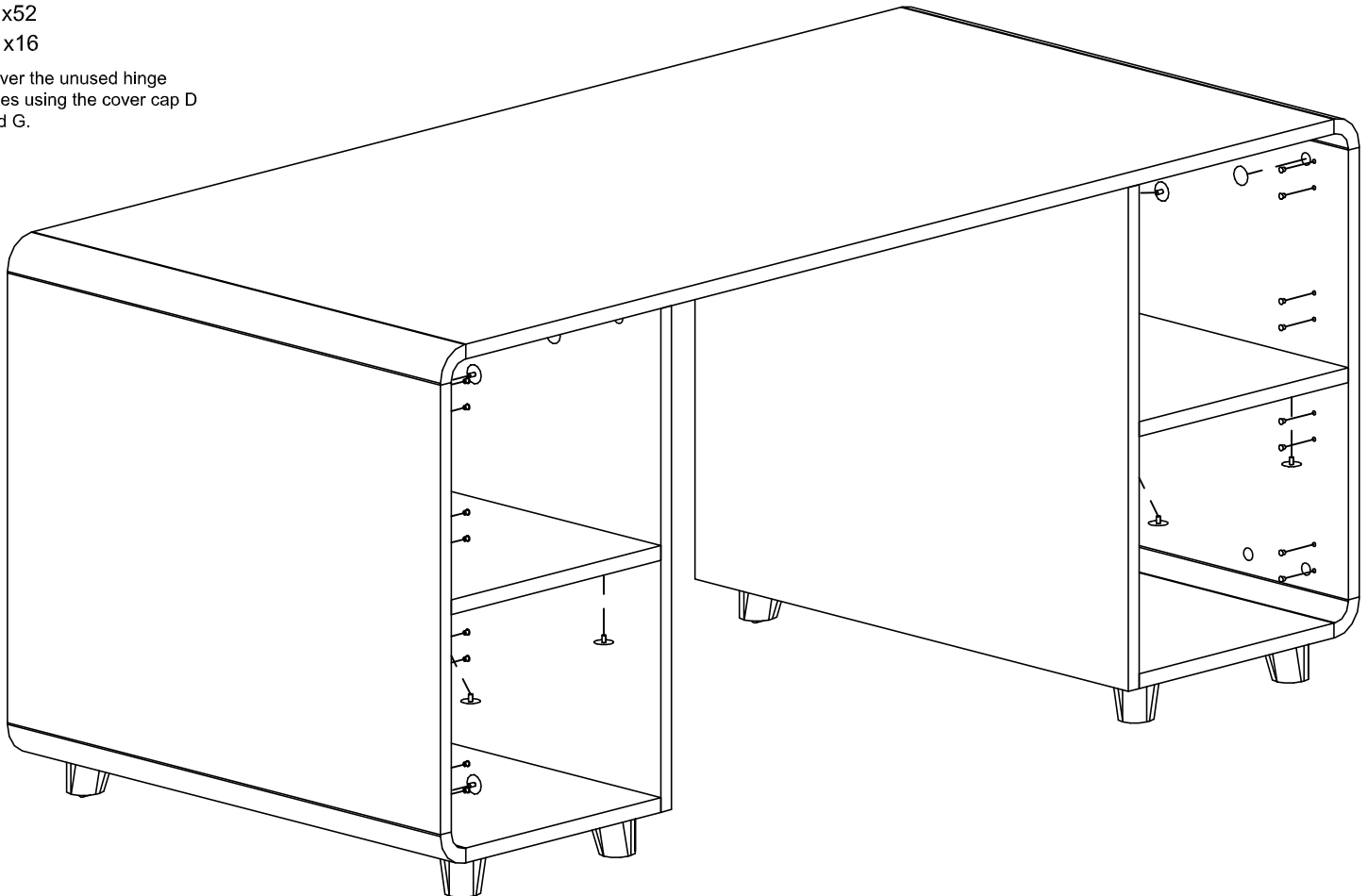
Step 10

In this step use these fittings:

D x52

G x16

Cover the unused hinge holes using the cover cap D and G.



Assembly Instructions

Customer Notice

Dear Customer,

Congratulations on the recent purchase of your furniture!

Customer Service:

For missing or spare parts requests please contact us Monday to Friday – 10am to 3pm in one of the following ways:

Phone: 0844 8008475

Email: Spares@stompa.com

Please inform: product, colour, where did you buy it, part no, quantity and reason for request. We need your full name, address and telephone number.

Fax: Please complete the enclosed Service Form and fax to 0560 1132071

By post: Please complete the enclosed Service Form and post to:

Nordika Design Ltd.
High Rigg
Panorama Drive
Ilkley, LS29 9RA

We will do our utmost to supply spare parts within 7-10 working days of receipt of request.

Our quality control team has ensured a high quality product that we are sure you will be pleased with. Any components produced from solid wood will contain knots and may have surface defects which are a feature of a natural product.

Customer Service Form

Please return complete to

Fax: 0560 1132071

Name: _____

Address: _____

Contact No: _____

Date of purchase: _____

Place of purchase: _____

Product Name: _____

See assembly instructions:

Problem: _____

Parts Needed: Part No. Quantity Description

Please quote assembly

e.g drawer base

instruction or number
